



NELA DL2

IN-12U7/264/DL14 HF*

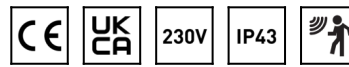
WWW.OSMONT.CZ

NELA DL2

Product code: NEL44581

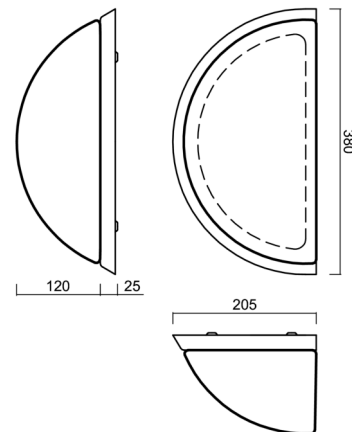
Type: IN-12U7/264/DL14 HF*

Short description of the luminaire: Stainless steel polished | ceiling or wall E27 light with HF sensor | TRIPLEX OPAL hand blown glass shade |



Technical data

Types of luminaires	Sensor
Mounting type	surface mounted
Base material	stainless steel steel
Shade material	three-layer glass TRIPLEX OPAL
Base color	polished stainless steel
Shade color	white
Holding the shade	screws
Mounting location	wall
Width	350 mm
Length	190 mm
Height	150 mm
mounting holes (diameter)	3xØ5mm
Cable entrance	2xØ16mm
Impact strength	IK01
Operating temperature	from -20°C to +30°C



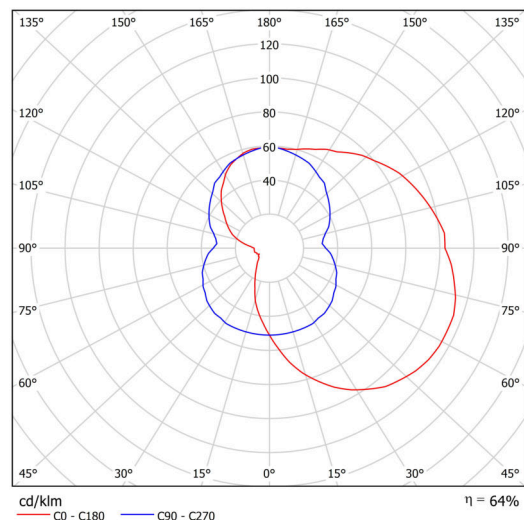
Electrical data

Voltage type	AC
AC voltage	220 - 240 V
Power consumption	25 W
Ingress Protection	IP43
Socket	E27
Sensor	HF
terminal block	snap terminal block

Luminous data

Blue light hazard	Risk group 0
-------------------	--------------

Eulum data for calculation programs are available at www.osmont.cz.

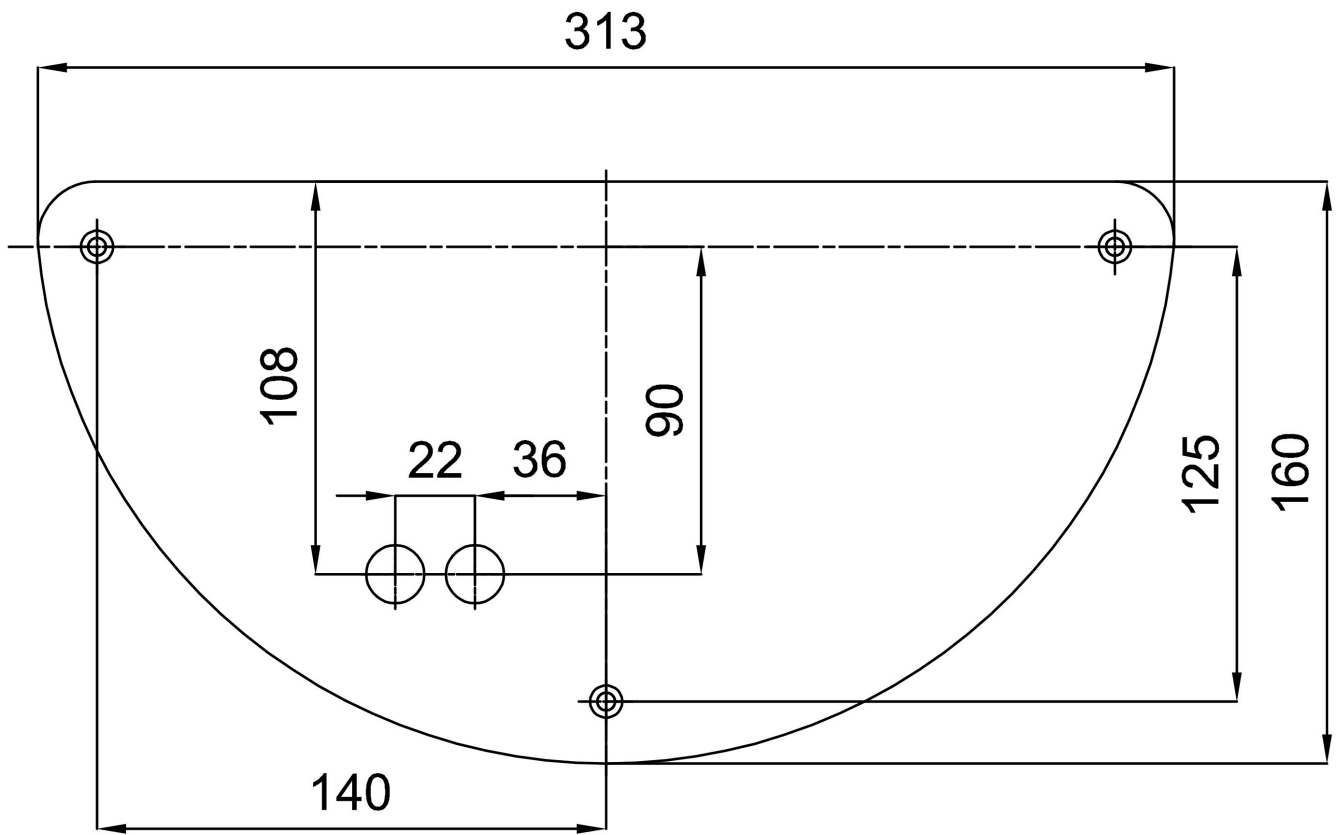


Logistical data

EAN	8591728445812
Weight NTTO	2.1 Kg
Weight BTTO	2.3 Kg
Number of cartons	1 pcs
Package volume	0.014 m ³
Package 1 width	0.42 m
Package 1 length	0.21 m
Package 1 height	0.16 m
Warranty*	60 months

*The warranty for the batteries is valid for 36 months from the date of purchase.

Installation dimensions:



Additional assortment:

Lampshade

Product code	Name	Color	Picture	Drawing
20021	264	white	