



## ASTRA L

---

ZL11/095/L100 NL\*

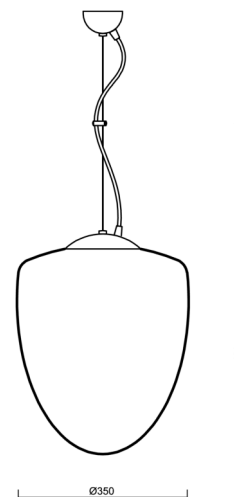
[WWW.OSMONT.CZ](http://WWW.OSMONT.CZ)

# ASTRA L

Product code: AST45576

Type: ZL11/095/L100 NL\*

Short description of the luminaire: Stainless steel polished | pendant E27 light ON/OFF | TRIPLEX OPAL hand blown glass shade | steel wire pendant ( with supply cable) 100 cm |



## Technical data

Types of luminaires	Classic on/off
Mounting type	Suspended - wire
Base material	stainless steel steel
Shade material	three-layer glass TRIPLEX OPAL
Base color	polished stainless steel
Shade color	white
Holding the shade	steel holder
Mounting location	ceiling
Width	350 mm
Length	350 mm
Height	430 mm
Diameter	ø 350 mm
Suspension length	1000 mm
mounting holes (diameter)	none
Cable entrance	none
Impact strength	IK01
Operating temperature	from -20°C to +30°C

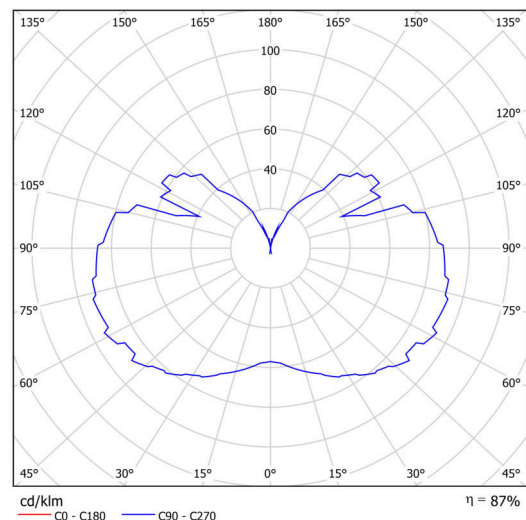
## Electrical data

Voltage type	AC
AC voltage	220 - 240 V
Power consumption	40 W
Ingress Protection	IP40
Socket	E27
terminal block	none

## Luminous data

Rated life time LED L80/B10	100000 hours
Blue light hazard	Risk group 0

Eulum data for calculation programs are available at [www.osmont.cz](http://www.osmont.cz).



# TECHNICAL SHEET

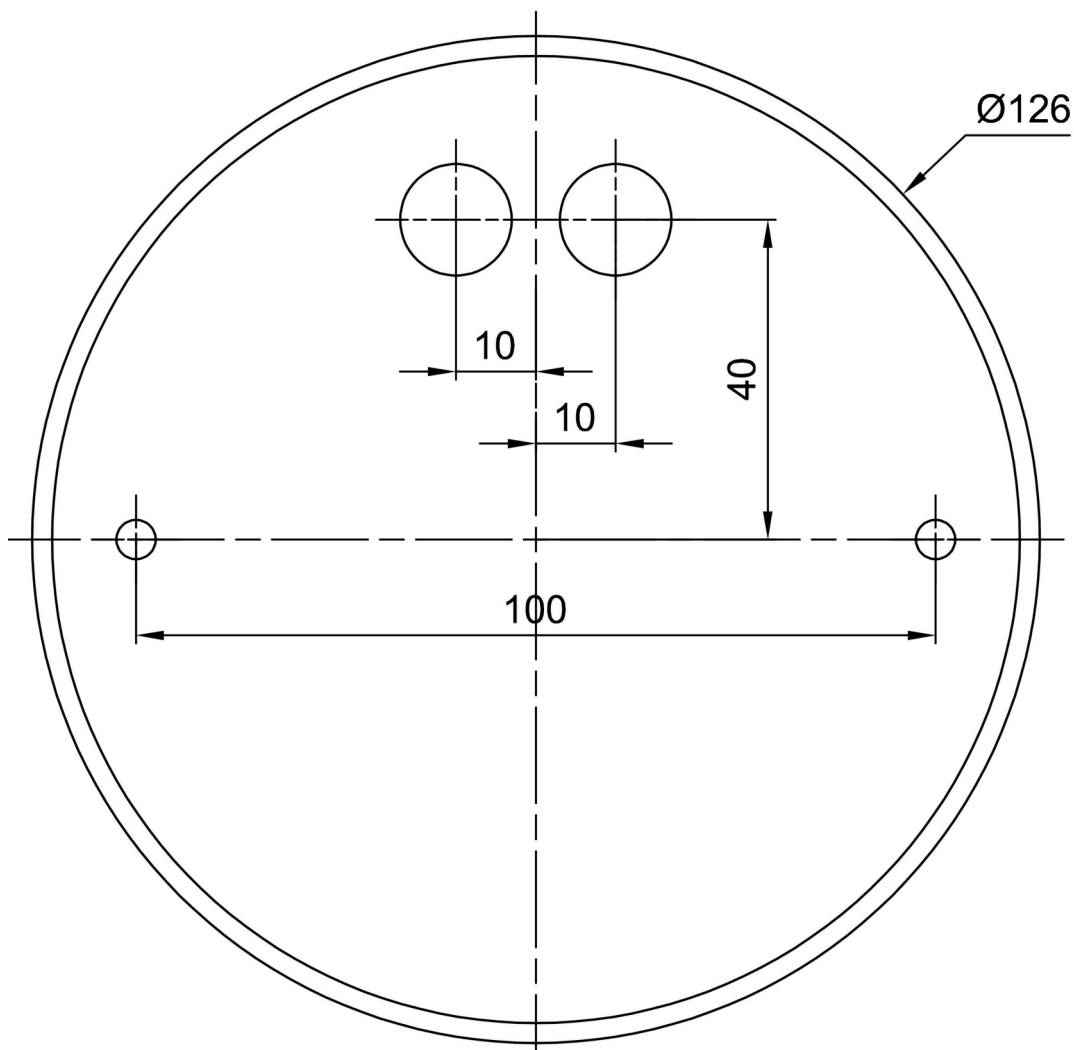


## Logistical data

EAN	8591728455767
Weight NTTO	4.8 Kg
Weight BTTO	6.6 Kg
Number of cartons	2 pcs
Package volume	0.073 m <sup>3</sup>
Package 1 width	0.405 m
Package 1 length	0.405 m
Package 1 height	0.415 m
Warranty*	60 months

\*The warranty for the batteries is valid for 36 months from the date of purchase.

## Installation dimensions:



## Additional assortment:

## Lampshade

Product code	Name	Color	Picture	Drawing
20048	095	white	