



ASTRA L

ZL11/095/L100 MS*

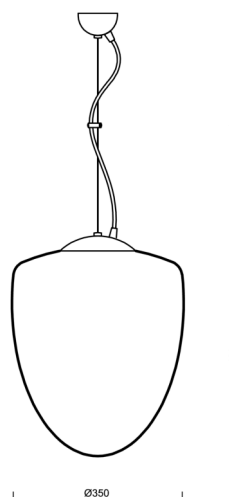
WWW.OSMONT.CZ

ASTRA L

Product code: AST45542

Type: ZL11/095/L100 MS*

Short description of the luminaire: Brass polished | pendant
E27 light ON/OFF | TRIPLEX OPAL hand blown glass shade| steel
wire pendant (with supply cable) 100 cm |



Technical data

Types of luminaires	Classic on/off
Mounting type	Suspended - wire
Base material	brass
Shade material	three-layer glass TRIPLEX OPAL
Base color	polished brass
Shade color	white
Holding the shade	steel holder
Mounting location	ceiling
Width	350 mm
Length	350 mm
Height	430 mm
Diameter	ø 350 mm
Suspension length	1000 mm
mounting holes (diameter)	none
Cable entrance	none
Impact strength	IK01
Operating temperature	from -20°C to +30°C

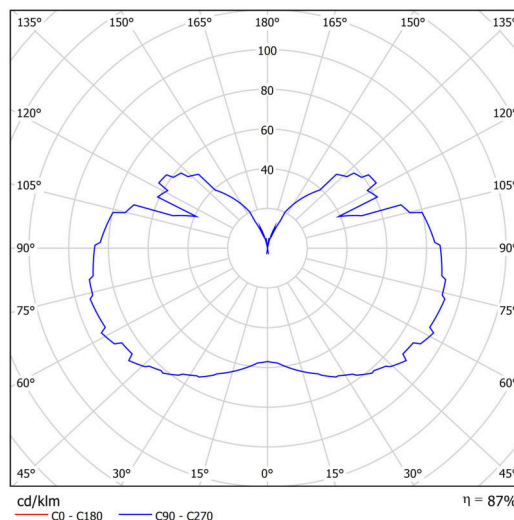
Electrical data

Voltage type	AC
AC voltage	220 - 240 V
Power consumption	40 W
Ingress Protection	IP40
Socket	E27
terminal block	none

Luminous data

Rated life time LED L80/B10	100000 hours
Blue light hazard	Risk group 0

Eulum data for calculation programs are available at www.osmont.cz.



TECHNICAL SHEET

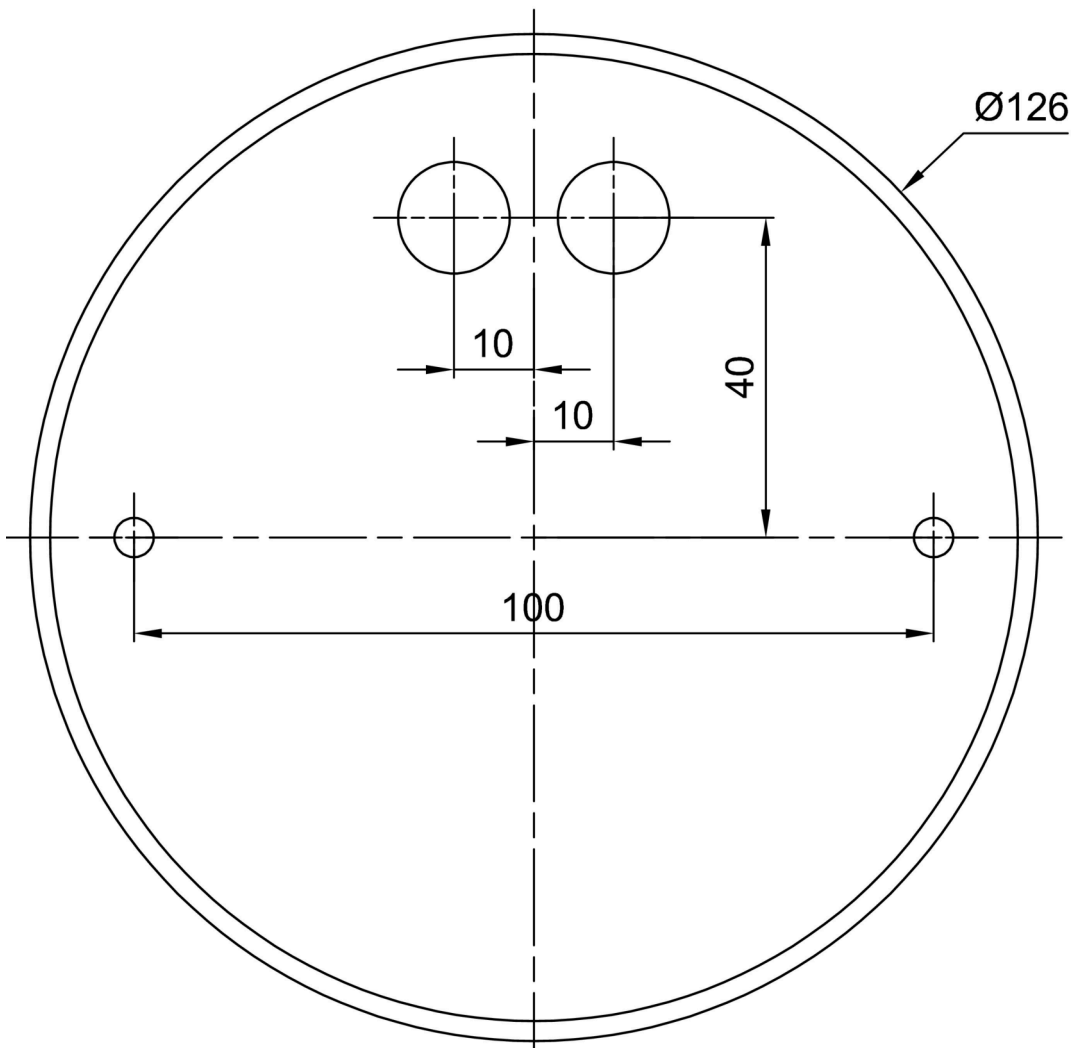


Logistical data

EAN	8591728455422
Weight NTTO	4.8 Kg
Weight BTTO	6.6 Kg
Number of cartons	2 pcs
Package volume	0.073 m ³
Package 1 width	0.405 m
Package 1 length	0.405 m
Package 1 height	0.415 m
Warranty*	60 months

*The warranty for the batteries is valid for 36 months from the date of purchase.

Installation dimensions:



Additional assortment:

Lampshade

Product code	Name	Color	Picture	Drawing
20048	095	white	