



ZETA ST1 UP/DOWN

LED-1L641E950ZST/FP91/L100 SD 3K#

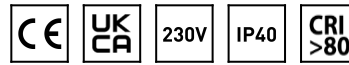
WWW.OSMONT.CZ

ZETA ST1 UP/DOWN

Product code: ZET60152

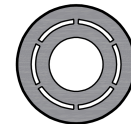
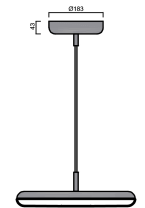
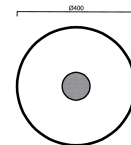
Type: LED-1L641E950ZST/FP91/L100 SD 3K#

Short description of the luminaire: Grey colour | pendant LED light ON/OFF | direct and indirect lighting version | matt PMMA shade | textile cable pendant (with inner support wire) 100 cm |



Technical data

Types of luminaires	Classic on/off
Mounting type	Suspended - cable
Base material	steel
Shade material	opal polymethyl methacrylate
Base color	grey Ral7040
Shade color	white
Mounting location	ceiling
Width	400 mm
Length	400 mm
Height	50 mm
Diameter	ø 400 mm
Suspension length	1000 mm
mounting holes (diameter)	3xø5mm
Cable entrance	2xø16mm
Energy Class	C
Operating temperature	from -20°C to +30°C

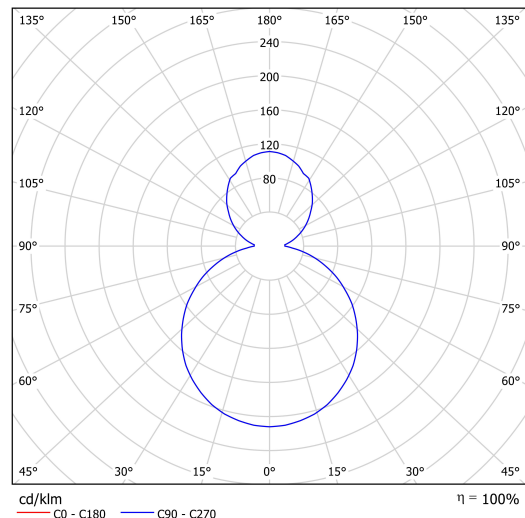


Electrical data

Power consumption	42 W
Ingress Protection	IP40
Socket	LED modul
terminal block	snap terminal block
Automatic circuit breaker type B10A	14 pcs
Automatic circuit breaker type B16A	22 pcs
Automatic circuit breaker type C10A	23 pcs
Automatic circuit breaker type C16A	36 pcs
Number of LED drivers	1

Luminous data

Lum. flux of luminaire	4640 lm
Lum. flux of light source	6540 lm
Luminaire efficacy	110 lm/W
Chromaticity temperature	3000 K
Rated life time LED L80/B10	100000 hours
CRI	Ra80
MacAdam	3
Blue light hazard	Risk group 0



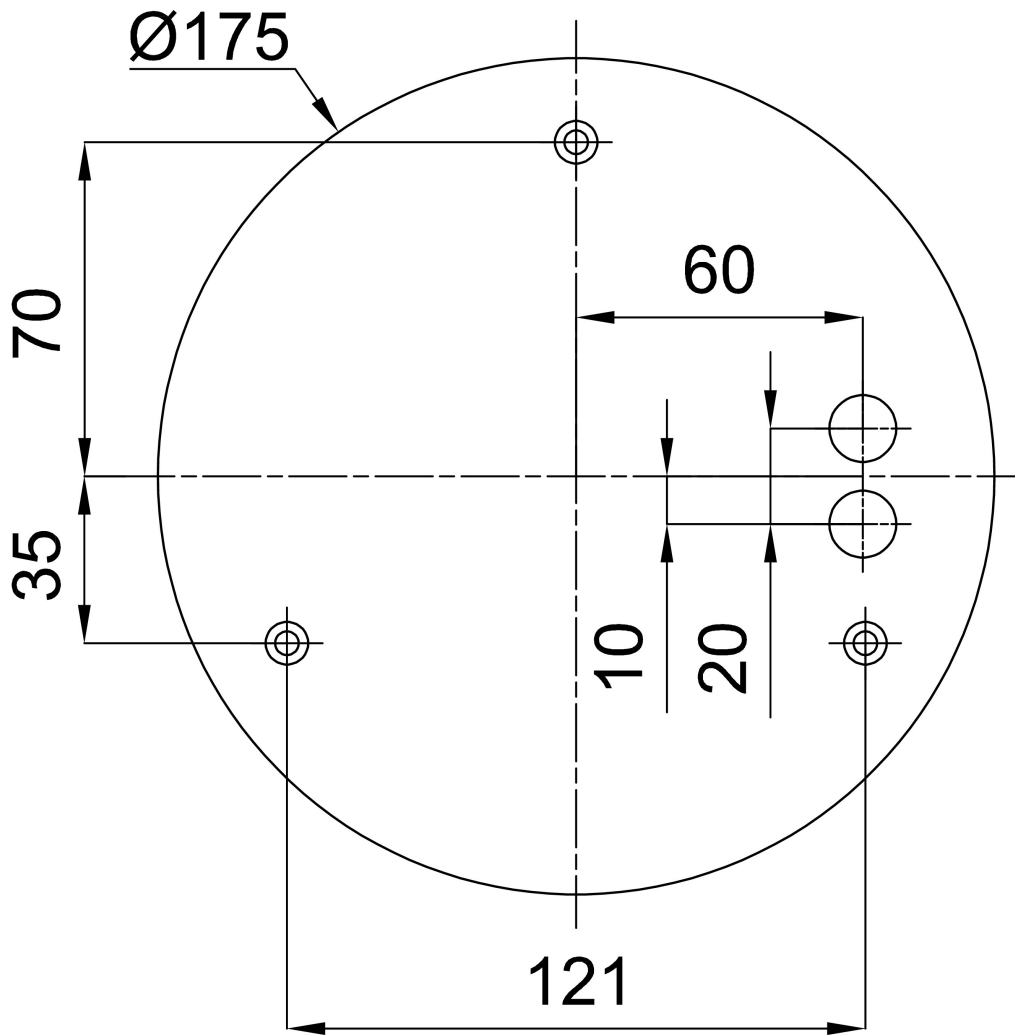
Eulum data for calculation programs are available at www.osmont.cz.

Logistical data

EAN	8591728233877
Weight NTTO	2.8 Kg
Weight BTTO	3.1 Kg
Warranty*	60 months

*The warranty for the batteries is valid for 36 months from the date of purchase.

Installation dimensions:



Additional assortment:

Lampshade

Product code	Name	Color	Picture	Drawing
20668	PM91	white	