



ZETA 2 UP/DOWN

LED-3L651E950/350K2H/FP92 O 2/1 4K##

WWW.OSMONT.CZ

ZETA 2 UP/DOWN

Product code: ZET60638

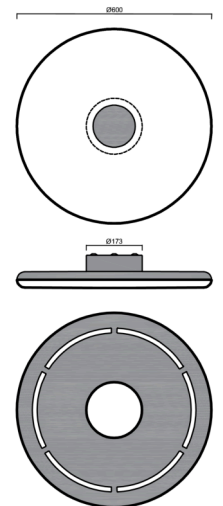
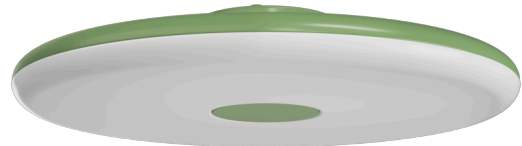
Type: LED-3L651E950/350K2H/FP92 0 2/1 4K##

Short description of the luminaire: Olive green colour | ceiling or wall LED light ON/OFF | two-circuit connection| direct and indirect lighting | matt PMMA shade|



Technical data

Types of luminaires	Classic on/off
Mounting type	surface mounted
Base material	steel
Shade material	opal polymethyl methacrylate
Base color	Olive Ral6011
Shade color	white
Mounting location	ceiling/wall
Width	600 mm
Length	600 mm
Height	105 mm
Diameter	ø 600 mm
mounting holes (diameter)	3xø5mm
Cable entrance	2xø16mm
Energy Class	D
Operating temperature	from -20°C to +30°C



Electrical data

Power consumption	38+14 W
Ingress Protection	IP40
Socket	LED modul
terminal block	snap terminal block

Luminous data

Lum. flux of luminaire	4700+1620 lm
Lum. flux of light source	6520+2380 lm
Chromaticity temperature	4000 K
Rated life time LED L80/B10	100000 hours
CRI	Ra80
MacAdam	3
Blue light hazard	Risk group 0

Eulum data for calculation programs are available at www.osmont.cz.



TECHNICAL SHEET

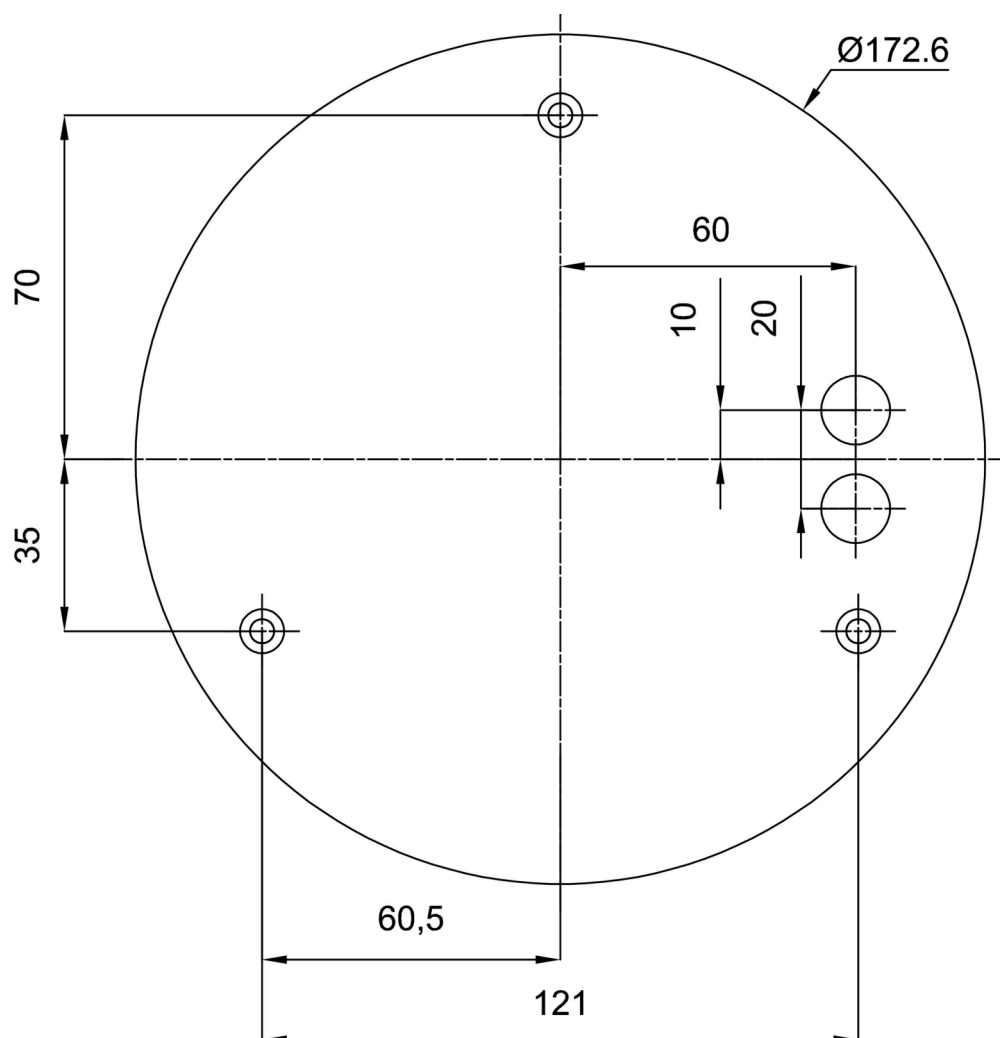


Logistical data

EAN	8591728234690
Weight NTTO	5.5 Kg
Weight BTTO	6.3 Kg
Number of cartons	1 pcs
Warranty*	60 months

*The warranty for the batteries is valid for 36 months from the date of purchase.

Installation dimensions:



Additional assortment:

Lampshade

Product code	Name	Color	Picture	Drawing
20669	PM92	white	