



ZETA 2 UP/DOWN

LED-3L651E950/350K2H/FP92 C DALI 3K##

WWW.OSMONT.CZ

ZETA 2 UP/DOWN

Product code: ZET60125

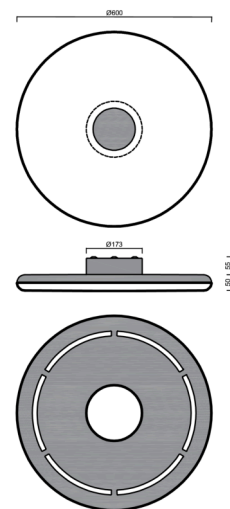
Type: LED-3L651E950/350K2H/FP92 C DALI 3K##

Short description of the luminaire: Black colour | ceiling or wall LED light DALI | direct and indirect lighting | matt PMMA shadel



Technical data

Types of luminaires	Dimmable
Mounting type	surface mounted
Base material	steel
Shade material	opal polymethyl methacrylate
Base color	black Ral9005
Shade color	white
Mounting location	ceiling/wall
Width	600 mm
Length	600 mm
Height	105 mm
Diameter	ø 600 mm
mounting holes (diameter)	3xø5mm
Cable entrance	2xø16mm
Energy Class	D
Operating temperature	from -20°C to +30°C



Electrical data

Power consumption	52 W
Ingress Protection	IP40
Socket	LED modul
terminal block	snap terminal block

Luminous data

Lum. flux of luminaire	6050 lm
Lum. flux of light source	8530 lm
Chromaticity temperature	3000 K
Rated life time LED L80/B10	100000 hours
CRI	Ra80
MacAdam	3
Blue light hazard	Risk group 0

Eulum data for calculation programs are available at www.osmont.cz.



TECHNICAL SHEET

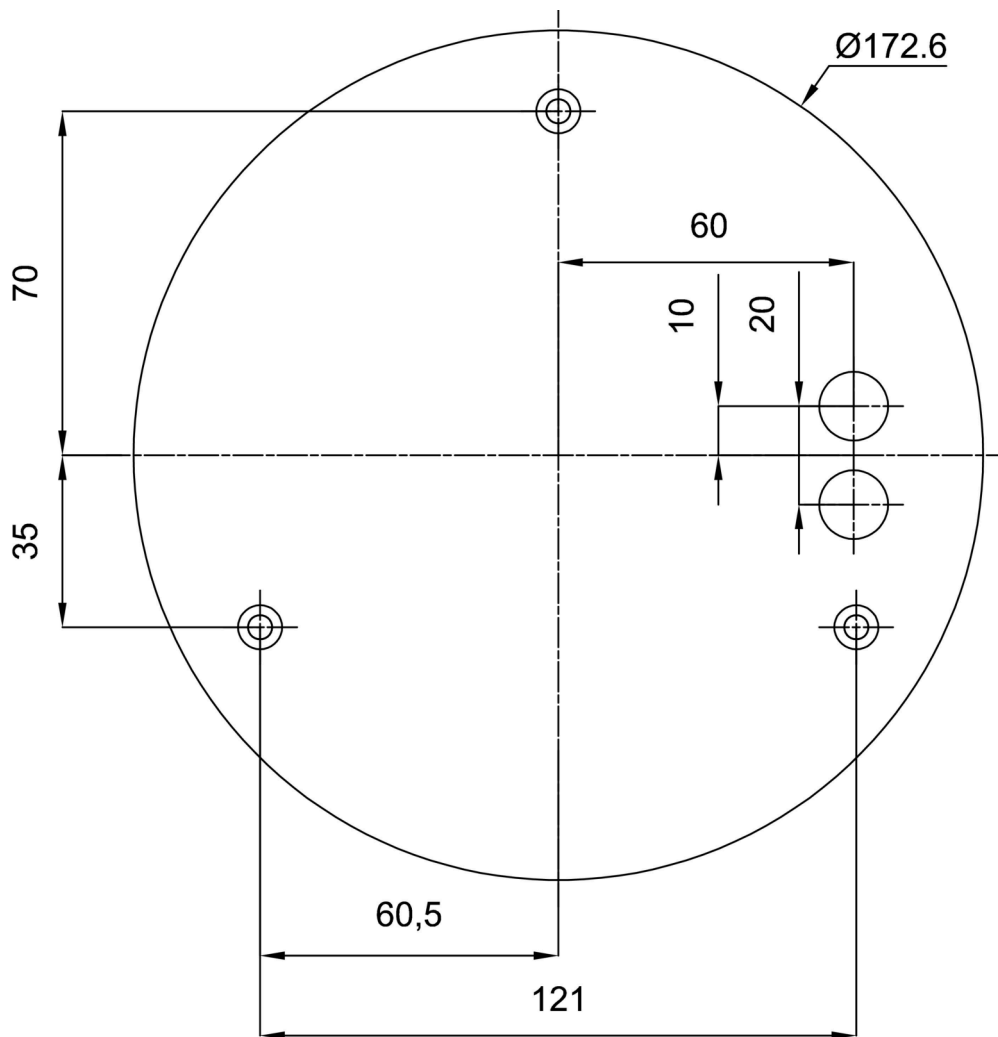


Logistical data

EAN	8591728233600
Weight NTTO	5.5 Kg
Weight BTTO	6.3 Kg
Number of cartons	1 pcs
Warranty*	60 months

*The warranty for the batteries is valid for 36 months from the date of purchase.

Installation dimensions:



Additional assortment:

Lampshade

Product code	Name	Color	Picture	Drawing
20669	PM92	white		