

ZETA 1 UP/DOWN

LED-1L641E700/250K2H/FP91 T 2/1 3K#

WWW.OSMONT.CZ

ZETA 1 UP/DOWN

Product code: ZET60118

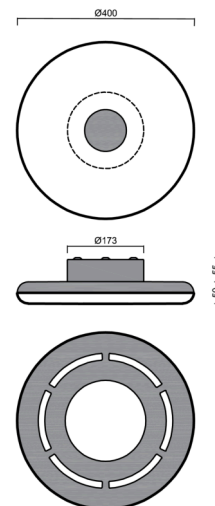
Type: LED-1L641E700/250K2H/FP91 T 2/1 3K#

Short description of the luminaire: Terracotta colour | ceiling or wall LED light ON/OFF | two-circuit connection| direct and indirect lighting | matt PMMA shade|



Technical data

Types of luminaires	Classic on/off
Mounting type	surface mounted
Base material	steel
Shade material	opal polymethyl methacrylate
Base color	terracotta Ral2013
Shade color	white
Mounting location	ceiling/wall
Width	400 mm
Length	400 mm
Height	105 mm
Diameter	ø 400 mm
mounting holes (diameter)	3xø5mm
Cable entrance	2xø16mm
Energy Class	D
Operating temperature	from -20°C to +30°C



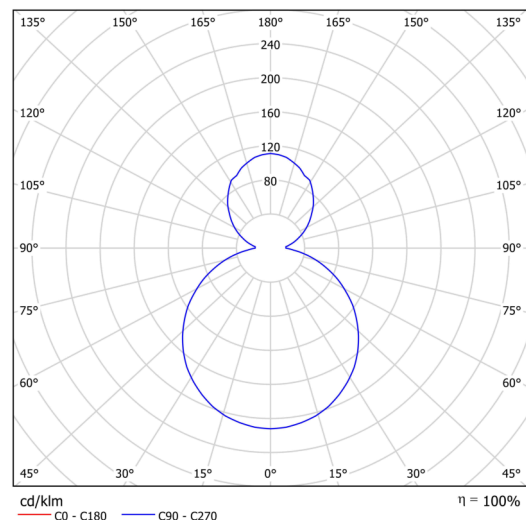
Electrical data

Power consumption	31+11 W
Ingress Protection	IP40
Socket	LED modul
terminal block	snap terminal block

Luminous data

Lum. flux of luminaire	3470+1170 lm
Lum. flux of light source	4820+1720 lm
Chromaticity temperature	3000 K
Rated life time LED L80/B10	100000 hours
CRI	Ra80
MacAdam	3
Blue light hazard	Risk group 0

Eulum data for calculation programs are available at www.osmont.cz.



TECHNICAL SHEET

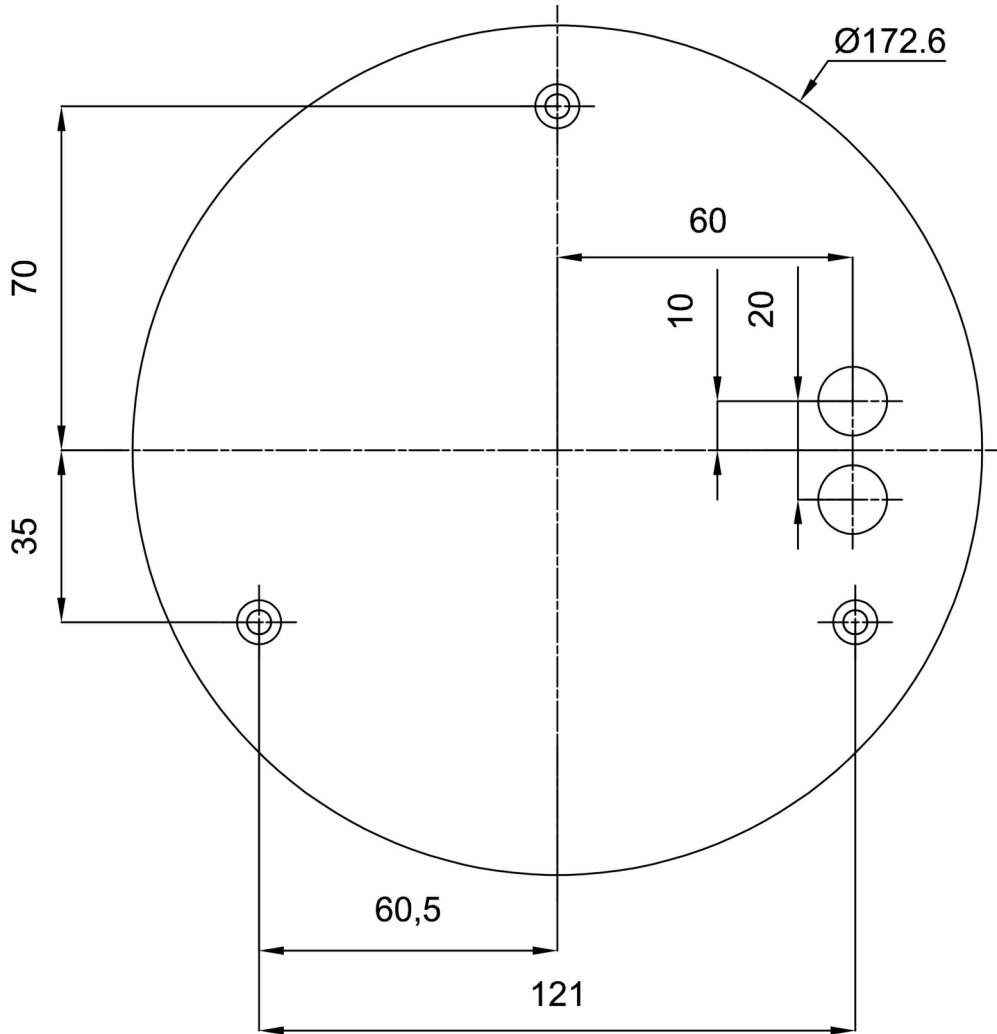


Logistical data

EAN	8591728233532
Weight NTTO	2.8 Kg
Weight BTTO	3.1 Kg
Number of cartons	1 pcs
Warranty*	60 months

*The warranty for the batteries is valid for 36 months from the date of purchase.

Installation dimensions:



Additional assortment:

Lampshade

Product code	Name	Color	Picture	Drawing
20668	PM91	white		