



## TITAN V2

---

LED-1L16ET700KNV83/PM08 BT 27-65K#

[WWW.OSMONT.CZ](http://WWW.OSMONT.CZ)

# TITAN V2

Product code: TIT63173

Type: LED-1L16ET700KNV83/PM08 BT 27-65K#

Short description of the luminaire: White semi-recessed LED light Tunable White and PMMA shade.



## Technical

Types of luminaires	Tunable White
Mounting type	semi-recessed
Base material	steel
Shade material	opal polymethyl methacrylate
Base color	white Ra9003
Shade color	white
Holding the shade	folding system
Mounting location	ceiling/wall
Width	400 mm
Length	400 mm
Height	100 mm
Diameter	ø 400 mm
mounting holes (diameter)	none
Installation wire (diameter)	2xØ16mm
Energy Class	D
Impact strength	IK04
Operating temperature	from -20°C to +30°C

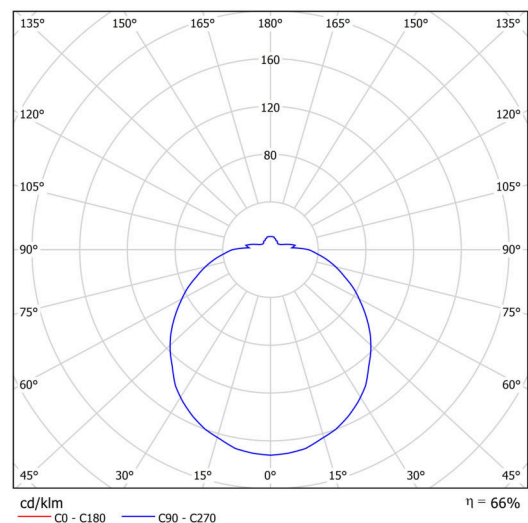
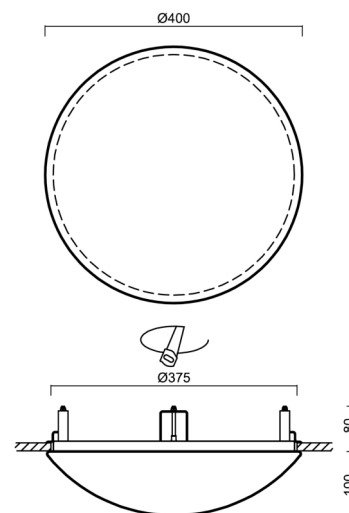
## Electric

Power consumption	33 W
Ingress Protection	IP44
Socket	LED modul
terminal block	snap terminal block
Automatic circuit breaker type B10A	22 pcs
Automatic circuit breaker type B16A	36 pcs

## Luminous

Lum. flux of luminaire	3510 lm
Lum. flux of light source	5090 lm
Luminaire efficacy	106 lm/W
Temperature	2700-6500 K
Rated life time LED L80/B10	100000 hours
CRI	Ra80
MacAdam	3
Blue light hazard	Risk group 0

Eulum data for calculation programs are available at [www.osmont.cz](http://www.osmont.cz).

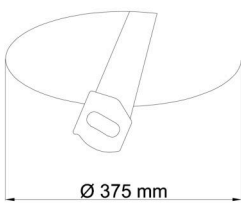


Logistic

EAN	8591728131364
Weight NTTO	2 Kg
Weight BTTO	2.4 Kg
Number of cartons	1 pcs
Package volume	0.031 m <sup>3</sup>
Package 1 width	0.41 m
Package 1 length	0.42 m
Package 1 height	0.18 m
Warranty*	60 months

\*The warranty for the batteries is valid for 12 months from the date of purchase.

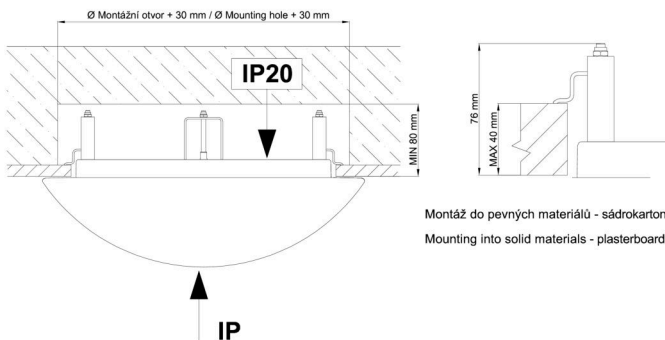
Installation dimensions:



Svítidlo nesmí být z horní strany zakryto izolací.  
Luminaire must not be covered with insulating matting.



Rozměry dutiny pro vestavné svítidlo [mm]:  
Dimensions of cavity for recessed luminaire [mm]:



## Additional assortment:

## Lampshade

Product code	Name	Color	Description	Picture	Drawing
20508	PM08	white		