

## TITAN L4

---

IN-42ZL11/PM10/L100\*\*

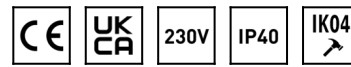
[WWW.OSMONT.CZ](http://WWW.OSMONT.CZ)

# TITAN L4

Product code: TIT52035

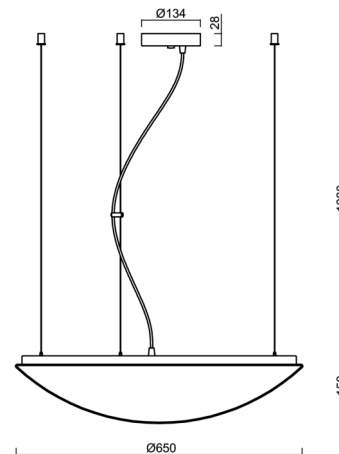
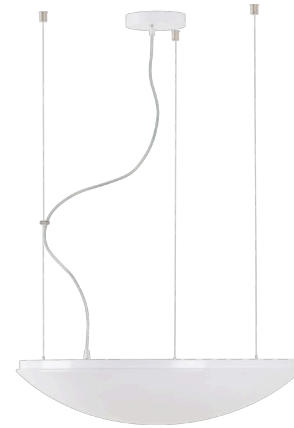
Type: IN-42ZL11/PM10/L100\*\*

Short description of the luminaire: White pendant E27 light ON/OFF and PMMA shade.



## Technical

|                              |                              |
|------------------------------|------------------------------|
| Types of luminaires          | Classic on/off               |
| Mounting type                | Suspended - wire             |
| Base material                | steel                        |
| Shade material               | opal polymethyl methacrylate |
| Base color                   | white Ra9003                 |
| Shade color                  | white                        |
| Holding the shade            | folding system               |
| Mounting location            | ceiling                      |
| Width                        | 650 mm                       |
| Length                       | 650 mm                       |
| Height                       | 130 mm                       |
| Diameter                     | ø 650 mm                     |
| Hinge length                 | 1000 mm                      |
| mounting holes (diameter)    | 2xø5mm                       |
| Installation wire (diameter) | 2xø16mm                      |
| Impact strength              | IK04                         |
| Operating temperature        | from -20°C to +30°C          |



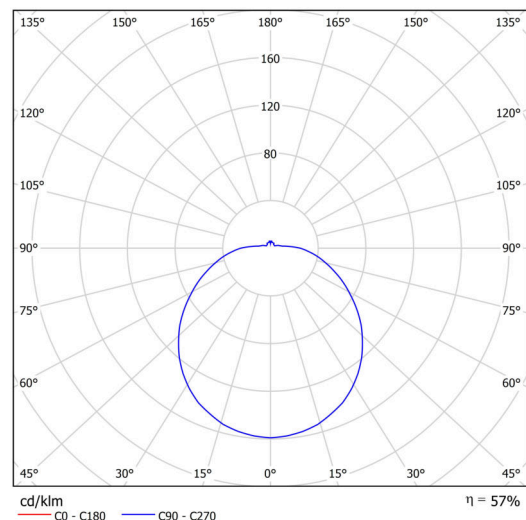
## Electric

|                    |                      |
|--------------------|----------------------|
| Voltage type       | AC                   |
| AC voltage         | 220 - 240 V          |
| Power consumption  | 4x25 W               |
| Ingress Protection | IP40                 |
| Socket             | E27                  |
| terminal block     | screw terminal block |

## Luminous

|                   |              |
|-------------------|--------------|
| Blue light hazard | Risk group 0 |
|-------------------|--------------|

Eulum data for calculation programs are available at [www.osmont.cz](http://www.osmont.cz).



Logistic

|                   |                     |
|-------------------|---------------------|
| EAN               | 8591728520359       |
| Weight NTTO       | 4.1 Kg              |
| Weight BTTO       | 5.5 Kg              |
| Number of cartons | 1 pcs               |
| Package volume    | 0.08 m <sup>3</sup> |
| Package 1 width   | 0.68 m              |
| Package 1 length  | 0.17 m              |
| Package 1 height  | 0.69 m              |
| Warranty*         | 60 months           |


\*The warranty for the batteries is valid for 12 months from the date of purchase.

Installation dimensions:



Additional assortment:

Lampshade

| Product code | Name | Color | Description | Picture  | Drawing |
|--------------|------|-------|-------------|--|---------|
| 20515        | PM10 | white |             |  |         |