



## TITAN D1

---

LED-1L14EMP700KN62/PC06/DP GB 3K#

[WWW.OSMONT.CZ](http://WWW.OSMONT.CZ)

# TITAN D1

Product code: TIT56274

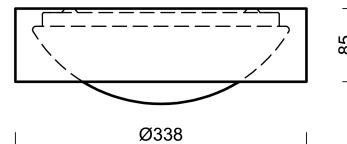
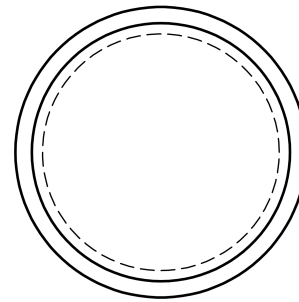
Type: LED-1L14EMP700KN62/PC06/DP GB 3K#

Short description of the luminaire: Golden beach colour | ceiling or wall LED light ON/OFF | multipower driver | opal polycarbonate shade (PC) with decorative collar



## Technical data

Types of luminaires	Classic on/off
Mounting type	surface mounted
Base material	steel
Shade material	opal polycarbonate
Base color	Golden Beach RAL1015
Shade color	white
Holding the shade	folding system
Mounting location	ceiling/wall
Width	338 mm
Length	85 mm
Height	338 mm
Diameter	ø 338 mm
mounting holes (diameter)	2xø5mm
Cable entrance	2xø16mm
Energy Class	D
Impact strength	IK10
Operating temperature	from -20°C to +30°C



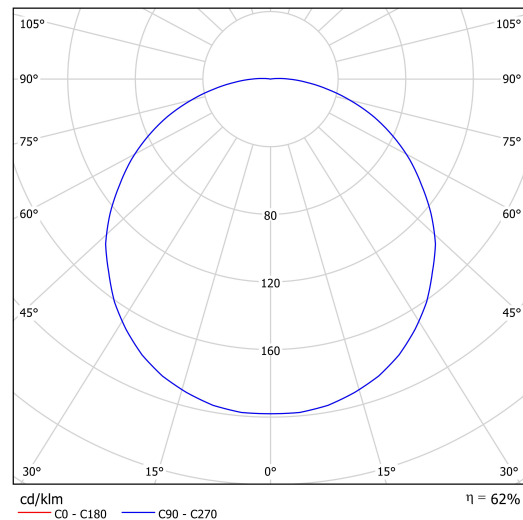
## Electrical data

Power consumption	18 W
Ingress Protection	IP54
Socket	LED modul
terminal block	snap terminal block

## Luminous data

Lum. flux of luminaire	1670 lm
Lum. flux of light source	2690 lm
Chromaticity temperature	3000 K
Rated life time LED L80/B10	100000 hours
CRI	Ra80
MacAdam	3
Blue light hazard	Risk group 0

Eulum data for calculation programs are available at [www.osmont.cz](http://www.osmont.cz).



# TECHNICAL SHEET

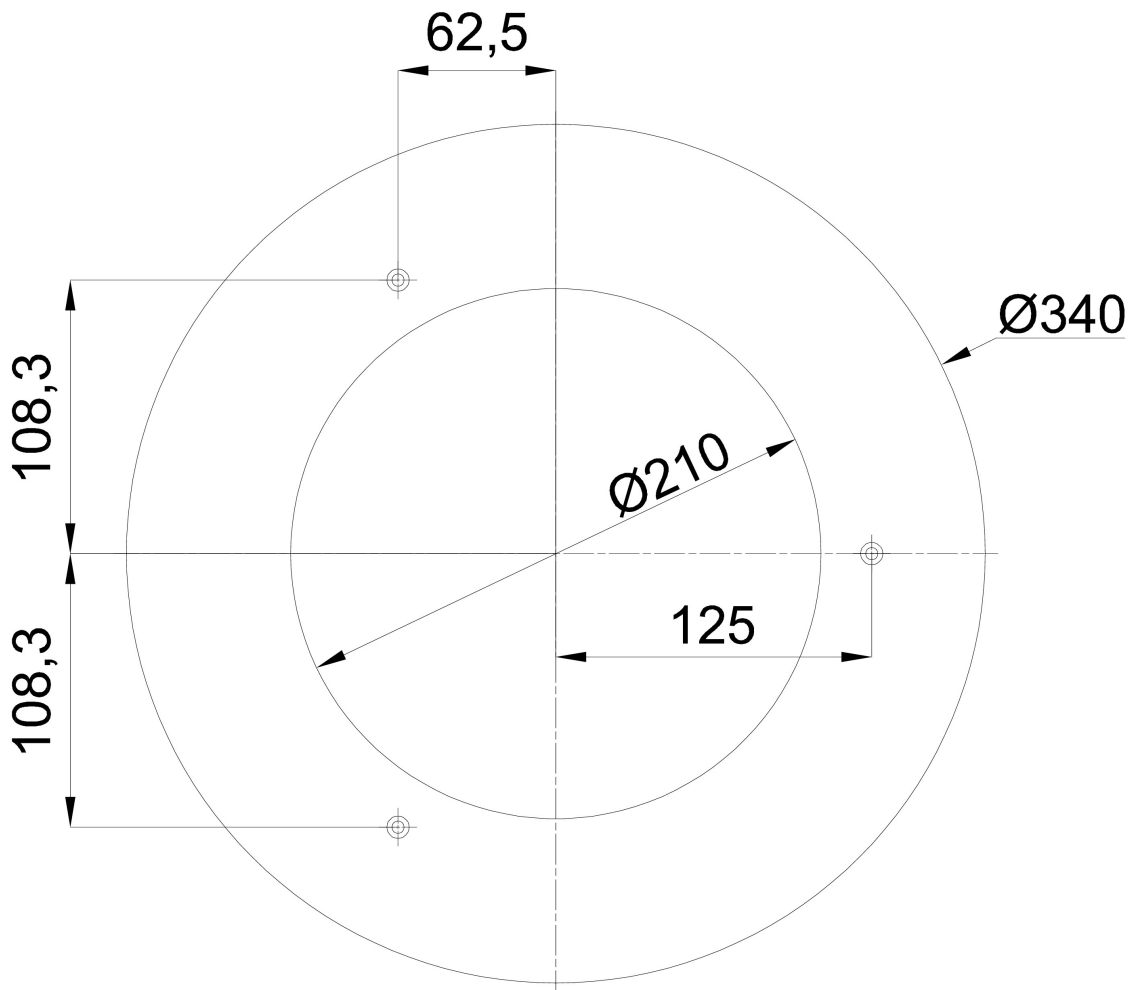


## Logistical data

EAN	8591728232894
Number of cartons	1 pcs
Warranty*	60 months

\*The warranty for the batteries is valid for 36 months from the date of purchase.

## Installation dimensions:



## Additional assortment:

## Decorative collar

Product code	Name	Color	Picture	Drawing
33545	KN6/DP GB	Golden Beach RAL1015		

## Lampshade

Product code	Name	Color	Picture	Drawing
20504	PC06	white	