



## SYLVIA 2 X4

LED-2L25EMP700U12/130/X4 4K##

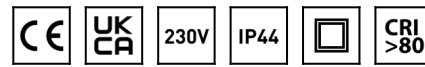
[WWW.OSMONT.CZ](http://WWW.OSMONT.CZ)

# SYLVIA 2 X4

Product code: SYL51925

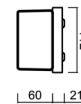
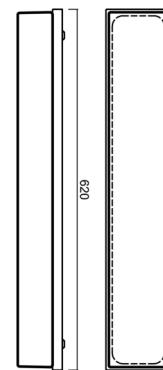
Type: LED-2L25EMP700U12/130/X4 4K##

Short description of the luminaire: White surface-mounted LED light ON/OFF with decorative collar with TRIPLEX OPAL glass shade.



## Technical

|                              |                                |
|------------------------------|--------------------------------|
| Types of luminaires          | Classic on/off                 |
| Mounting type                | surface mounted                |
| Base material                | steel                          |
| Shade material               | three-layer glass TRIPLEX OPAL |
| Base color                   | white Ral9003                  |
| Shade color                  | white                          |
| Holding the shade            | folding system                 |
| Mounting location            | ceiling/wall                   |
| Width                        | 620 mm                         |
| Length                       | 110 mm                         |
| Height                       | 75 mm                          |
| mounting holes (diameter)    | 2xØ5mm                         |
| Installation wire (diameter) | 2xØ16mm                        |
| Energy Class                 | D                              |
| Impact strength              | IK01                           |
| Operating temperature        | from -20°C to +30°C            |

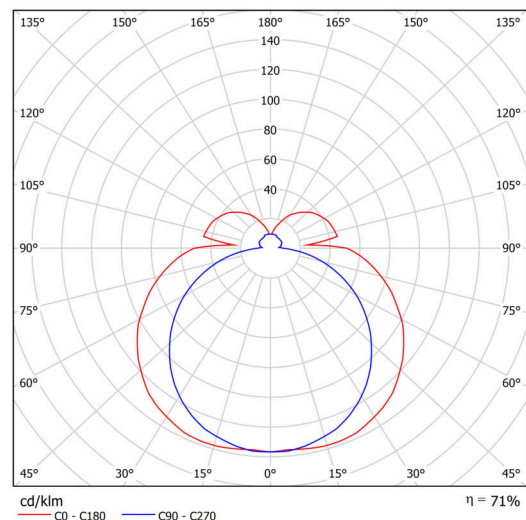


## Electric

|                                     |                     |
|-------------------------------------|---------------------|
| Power consumption                   | 18 W                |
| Coverage class                      | 2                   |
| Ingress Protection                  | IP44                |
| Socket                              | LED modul           |
| terminal block                      | snap terminal block |
| Automatic circuit breaker type B10A | 31 pcs              |
| Automatic circuit breaker type B16A | 50 pcs              |
| Automatic circuit breaker type C10A | 52 pcs              |
| Automatic circuit breaker type C16A | 85 pcs              |

## Luminous

|                             |              |
|-----------------------------|--------------|
| Lum. flux of luminaire      | 2000 lm      |
| Lum. flux of light source   | 2810 lm      |
| Luminaire efficacy          | 111 lm/W     |
| Temperature                 | 4000 K       |
| Rated life time LED L80/B10 | 100000 hours |
| CRI                         | Ra80         |
| MacAdam                     | 3            |
| Blue light hazard           | Risk group 0 |



Eulum data for calculation programs are available at [www.osmont.cz](http://www.osmont.cz).

**Multipower**

Possibility of output adjustment by the user (DIP switch on the current source).

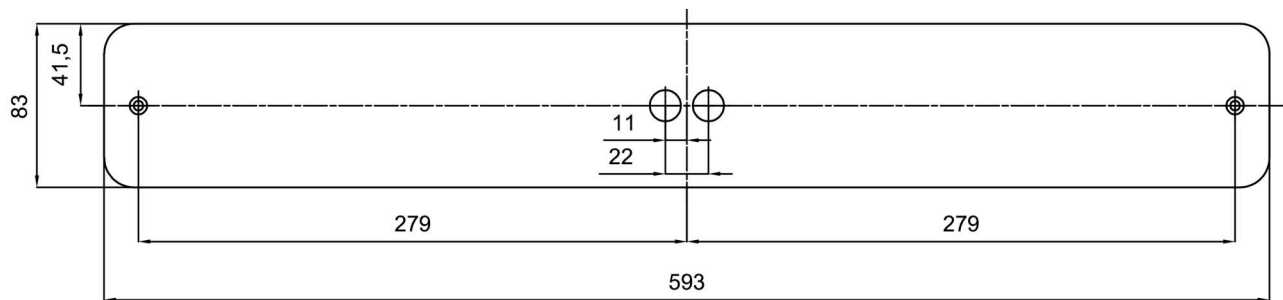
|        |     |     |     |     |     |     |     |     |
|--------|-----|-----|-----|-----|-----|-----|-----|-----|
| I [mA] | 700 | 650 | 600 | 550 | 500 | 450 | 400 | 350 |
| [%]    | 100 | 93  | 86  | 79  | 71  | 64  | 57  | 50  |

**Logistic**

|                   |                      |
|-------------------|----------------------|
| EAN               | 8591728137588        |
| Weight NTTO       | 2.4 Kg               |
| Weight BTTO       | 2.6 Kg               |
| Number of cartons | 1 pcs                |
| Package volume    | 0.007 m <sup>3</sup> |
| Package 1 width   | 0.655 m              |
| Package 1 length  | 0.125 m              |
| Package 1 height  | 0.09 m               |
| Warranty*         | 60 months            |


*\*The warranty for the batteries is valid for 12 months from the date of purchase.*

**Installation dimensions:**



## Additional assortment:

## Lampshade

| Product code | Name | Color | Description | Picture  | Drawing |
|--------------|------|-------|-------------|--|---------|
| 20075        | 130  | white |             |  |         |