



SYLVIA 2 X4

IN-32U12/130/X4**

WWW.OSMONT.CZ

SYLVIA 2 X4

Product code: SYL44543

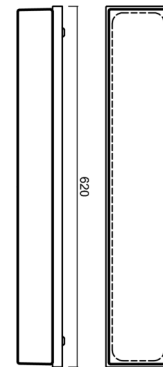
Type: IN-32U12/130/X4**

Short description of the luminaire: White surface-mounted E27 light ON/OFF with decorative collar with TRIPLEX OPAL glass shade.



Technical

| | |
|------------------------------|--------------------------------|
| Types of luminaires | Classic on/off |
| Mounting type | surface mounted |
| Base material | steel |
| Shade material | three-layer glass TRIPLEX OPAL |
| Base color | white Ral9003 |
| Shade color | white |
| Holding the shade | folding system |
| Mounting location | ceiling/wall |
| Width | 620 mm |
| Length | 110 mm |
| Height | 75 mm |
| mounting holes (diameter) | 2xØ5mm |
| Installation wire (diameter) | 2xØ16mm |
| Impact strength | IK01 |
| Operating temperature | from -20°C to +30°C |



60 | 21

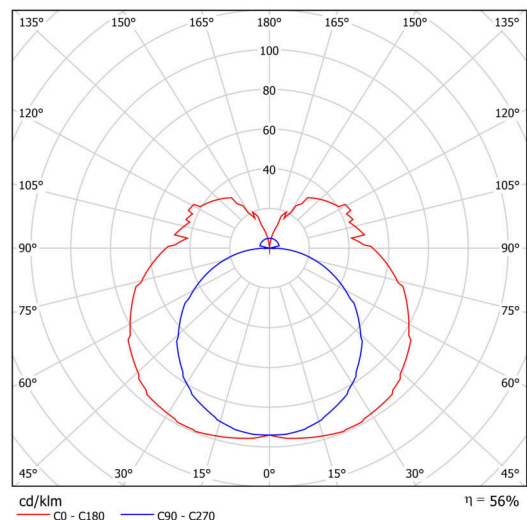
Electric

| | |
|--------------------|---------------------|
| Voltage type | AC |
| AC voltage | 220 - 240 V |
| Power consumption | 3x7 W |
| Ingress Protection | IP44 |
| Socket | E14 |
| terminal block | snap terminal block |

Luminous

| | |
|-------------------|--------------|
| Blue light hazard | Risk group 0 |
|-------------------|--------------|

Eulum data for calculation programs are available at www.osmont.cz.

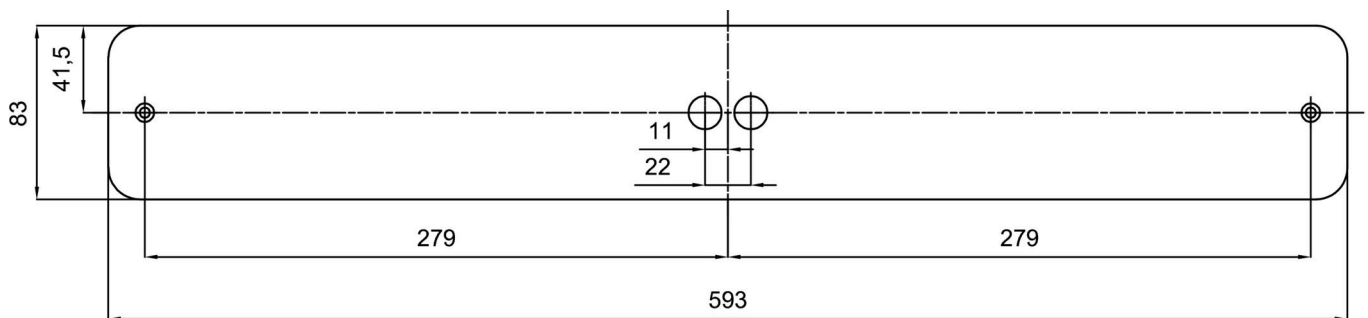


Logistic

| | |
|-------------------|----------------------|
| EAN | 8591728445430 |
| Weight NTTO | 2.29 Kg |
| Weight BTTO | 2.49 Kg |
| Number of cartons | 1 pcs |
| Package volume | 0.006 m ³ |
| Package 1 width | 0.655 m |
| Package 1 length | 0.125 m |
| Package 1 height | 0.09 m |
| Warranty* | 60 months |


**The warranty for the batteries is valid for 12 months from the date of purchase.*

Installation dimensions:



Additional assortment:

Lampshade

| Product code | Name | Color | Description | Picture | Drawing |
|--------------|------|-------|-------------|--|---------|
| 20075 | 130 | white | |  | |