



## SYLVIA 1 X15

IN-32U12/129/X15\*\*

[WWW.OSMONT.CZ](http://WWW.OSMONT.CZ)

# SYLVIA 1 X15

Product code: SYL44541

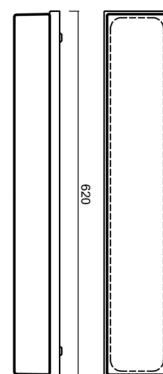
Type: IN-32U12/129/X15\*\*

Short description of the luminaire: Stainless brushed surface-mounted E27 light ON/OFF with decorative collar with TRIPLEX OPAL glass shade.



## Technical

Types of luminaires	Classic on/off
Mounting type	surface mounted
Base material	stainless steel steel
Shade material	three-layer glass TRIPLEX OPAL
Base color	brushed stainless steel
Shade color	white
Holding the shade	folding system
Mounting location	ceiling/wall
Width	620 mm
Length	110 mm
Height	75 mm
mounting holes (diameter)	2xØ5mm
Installation wire (diameter)	2xØ16mm
Impact strength	IK01
Operating temperature	from -20°C to +30°C



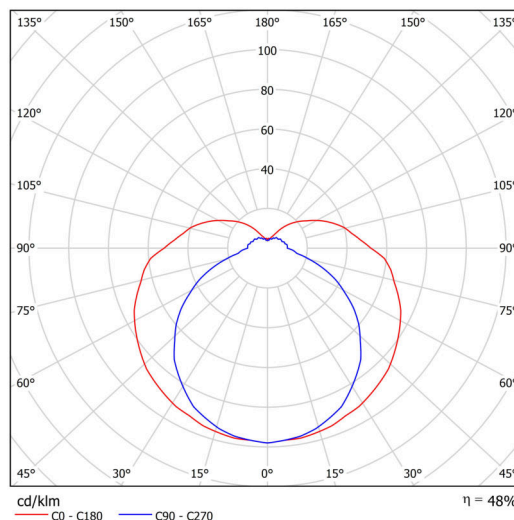
## Electric

Voltage type	AC
AC voltage	220 - 240 V
Power consumption	3x7 W
Ingress Protection	IP44
Socket	E14
terminal block	snap terminal block

## Luminous

Blue light hazard	Risk group 0
-------------------	--------------

Eulum data for calculation programs are available at [www.osmont.cz](http://www.osmont.cz).

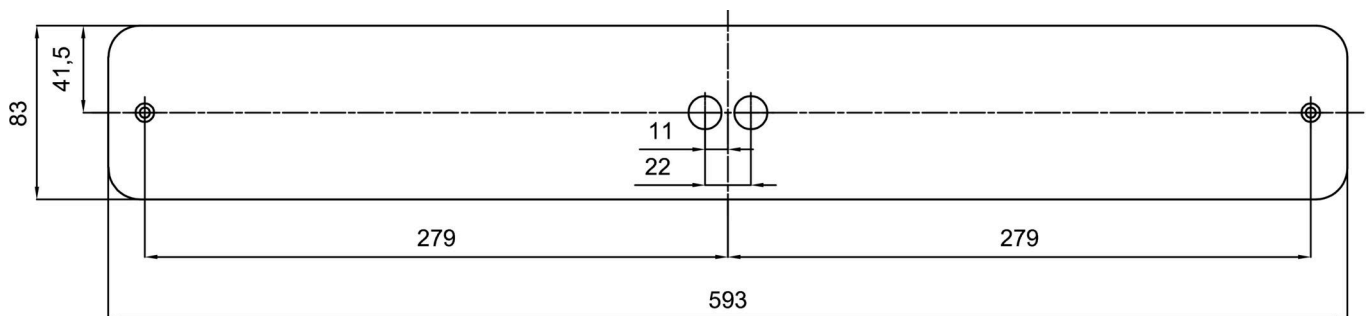


Logistic

EAN	8591728445416
Weight NTTO	2.6 Kg
Weight BTTO	2.8 Kg
Number of cartons	1 pcs
Package volume	0.006 m <sup>3</sup>
Package 1 width	0.625 m
Package 1 length	0.125 m
Package 1 height	0.09 m
Warranty*	60 months

\*The warranty for the batteries is valid for 12 months from the date of purchase.

Installation dimensions:



## Additional assortment:

## Lampshade

Product code	Name	Color	Description	Picture	Drawing
20074	129	white		