



## SUBRA S4

---

LED-6L76/1L77E1050ZS/PM84/L100 B 3K##

[WWW.OSMONT.CZ](http://WWW.OSMONT.CZ)

# SUBRA S4

Product code: SUB60012

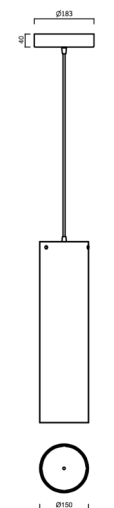
Type: LED-6L76/1L77E1050ZS/PM84/L100 B 3K##

Short description of the luminaire: White color | pendant LED light | ON/OFF | PMMA shade



## Technical

Types of luminaires	Classic on/off
Mounting type	Suspended - cable
Base material	steel
Shade material	opal polymethyl methacrylate
Base color	white Ra9003
Shade color	white
Holding the shade	screws
Mounting location	ceiling
Width	150 mm
Length	150 mm
Height	555 mm
Diameter	ø 150 mm
Hinge length	1000 mm
mounting holes (diameter)	3xø5mm
Installation wire (diameter)	2xø16mm
Energy Class	D
Operating temperature	from -20°C to +30°C



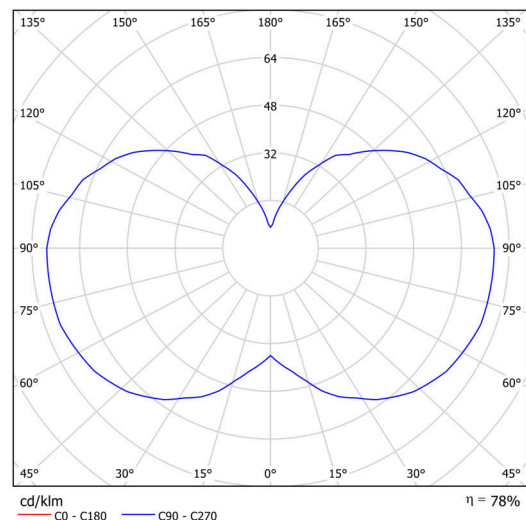
## Electric

Power consumption	45 W
Ingress Protection	IP20
Socket	LED modul
terminal block	snap terminal block
Automatic circuit breaker type B10A	31 pcs
Automatic circuit breaker type B16A	50 pcs
Automatic circuit breaker type C10A	52 pcs
Automatic circuit breaker type C16A	85 pcs

## Luminous

Lum. flux of luminaire	5680 lm
Lum. flux of light source	7280 lm
Luminaire efficacy	126 lm/W
Temperature	3000 K
Rated life time LED L80/B10	100000 hours
CRI	Ra80
MacAdam	3
Blue light hazard	Risk group 0

Eulum data for calculation programs are available at [www.osmont.cz](http://www.osmont.cz).

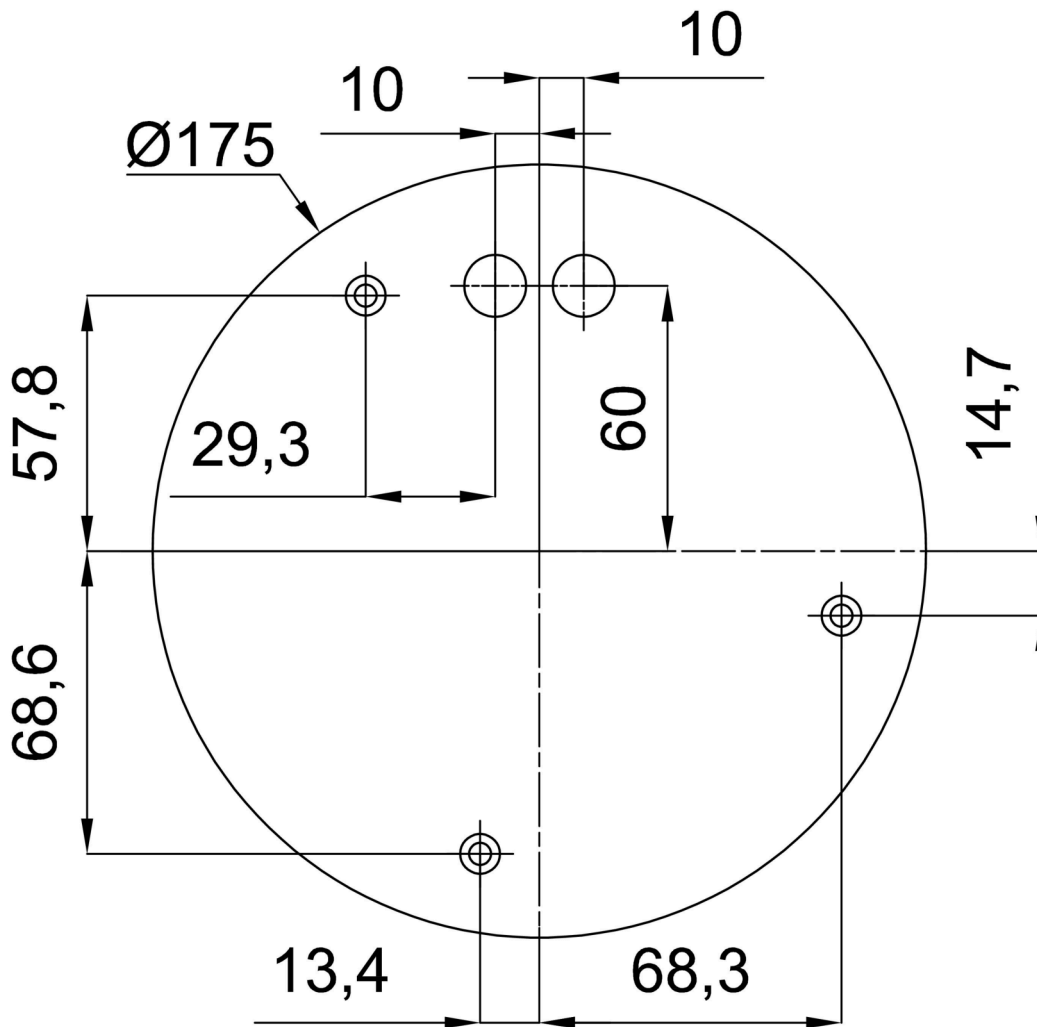


Logistic

EAN	8591728089757
Weight NTTO	2.8 Kg
Weight BTTO	3.55 Kg
Number of cartons	1 pcs
Package 1 width	0.23 m
Package 1 length	0.23 m
Package 1 height	0.75 m
Warranty*	60 months

\*The warranty for the batteries is valid for 12 months from the date of purchase.

Installation dimensions:



## Additional assortment:

## Lampshade

Product code	Name	Color	Description	Picture	Drawing
20663	PM84	white		