



STYX 2

LED-5L05E500BD1/193 CR 3K#

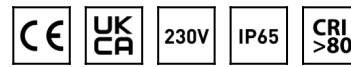
WWW.OSMONT.CZ

STYX 2

Product code: STY61228

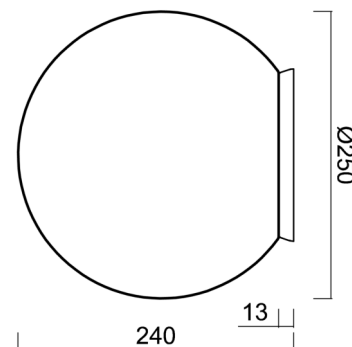
Type: LED-5L05E500BD1/193 CR 3K#

Short description of the luminaire: Chrome surface-mounted LED light ON/OFF with TRIPLEX OPAL glass shade.



Technical

Types of luminaires	Classic on/off
Mounting type	surface mounted
Base material	polycarbonate
Shade material	three-layer glass TRIPLEX OPAL
Base color	chrome
Shade color	white
Holding the shade	bayonet
Mounting location	ceiling/wall
Width	250 mm
Length	250 mm
Height	240 mm
Diameter	ø 250 mm
mounting holes (diameter)	4xø5mm
Installation wire (diameter)	2xø16mm
Energy Class	D
Impact strength	IK01
Operating temperature	from -20°C to +30°C



Electric

Power consumption	8 W
Ingress Protection	IP65
Socket	LED modul
terminal block	screw terminal block
Automatic circuit breaker type B10A	50 pcs
Automatic circuit breaker type B16A	78 pcs
Automatic circuit breaker type C10A	84 pcs
Automatic circuit breaker type C16A	130 pcs

Luminous

Lum. flux of luminaire	1080 lm
Lum. flux of light source	1230 lm
Luminaire efficacy	135 lm/W
Temperature	3000 K
Rated life time LED L80/B10	100000 hours
CRI	Ra80
MacAdam	3
Blue light hazard	Risk group 0



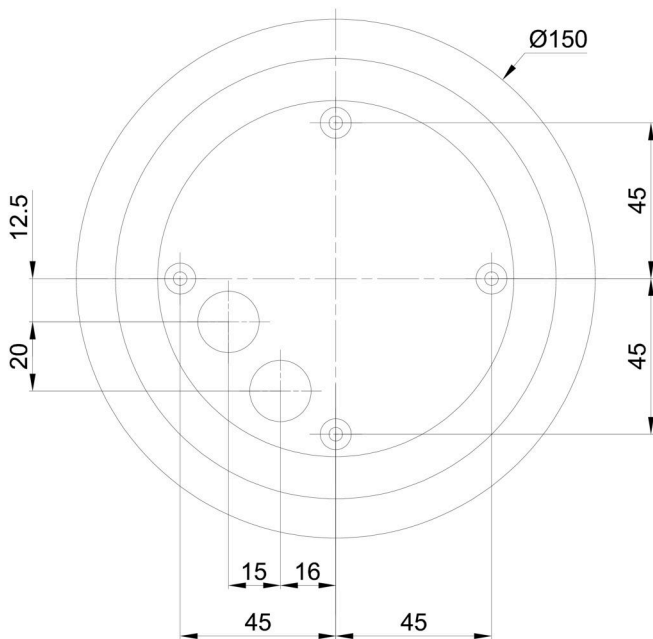
Eulum data for calculation programs are available at www.osmont.cz.

Logistic

EAN	8591728136734
Weight NTTO	2 Kg
Weight BTTO	2.3 Kg
Number of cartons	1 pcs
Package volume	0.029 m ³
Package 1 width	0.31 m
Package 1 length	0.31 m
Package 1 height	0.305 m
Warranty*	60 months

*The warranty for the batteries is valid for 12 months from the date of purchase.

Installation dimensions:



Additional assortment:

Base for surface mounting

Product code	Name	Color	Description	Picture	Drawing
33521	BD1/BP 2-1	white Ral9003			

Lampshade

Product code	Name	Color	Description	Picture	Drawing
20093	193	white		