



## SKAT 2

---

LED-5L06E450BD1/PE02 S 4K#

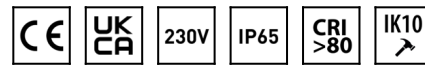
[WWW.OSMONT.CZ](http://WWW.OSMONT.CZ)

# SKAT 2

Product code: SKA68919

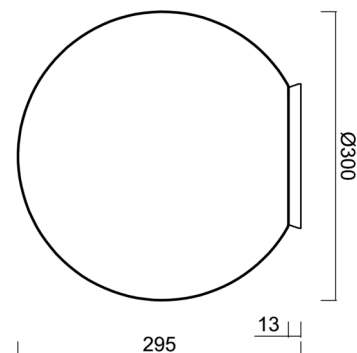
Type: LED-5L06E450BD1/PE02 S 4K#

Short description of the luminaire: Silver surface-mounted LED light ON/OFF and polyethylene shade.



## Technical

Types of luminaires	Classic on/off
Mounting type	surface mounted
Base material	polycarbonate
Shade material	polyethylene
Base color	silver Ral9006
Shade color	white
Holding the shade	bayonet
Mounting location	ceiling/wall
Width	300 mm
Length	300 mm
Height	300 mm
Diameter	ø 300 mm
mounting holes (diameter)	4xø5mm
Installation wire (diameter)	2xø16mm
Energy Class	D
Impact strength	IK10
Operating temperature	from -20°C to +30°C

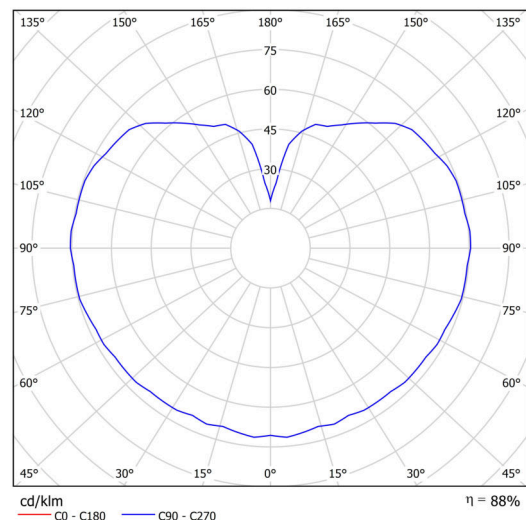


## Electric

Power consumption	20 W
Ingress Protection	IP65
Socket	LED modul
terminal block	screw terminal block
Automatic circuit breaker type B10A	31 pcs
Automatic circuit breaker type B16A	50 pcs
Automatic circuit breaker type C10A	52 pcs
Automatic circuit breaker type C16A	85 pcs

## Luminous

Lum. flux of luminaire	3090 lm
Lum. flux of light source	3510 lm
Luminaire efficacy	154 lm/W
Temperature	4000 K
Rated life time LED L80/B10	100000 hours
CRI	Ra80
MacAdam	3
Blue light hazard	Risk group 0



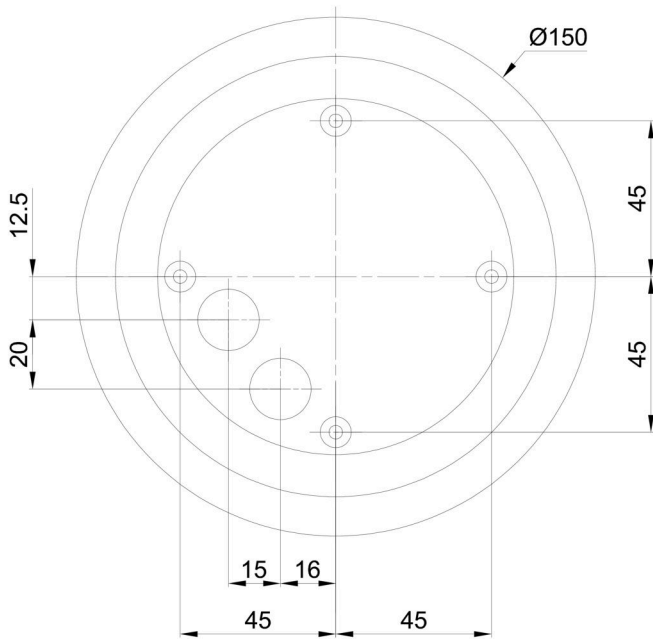
Eulum data for calculation programs are available at [www.osmont.cz](http://www.osmont.cz).

Logistic

EAN	8591728136499
Weight NTTO	2.7 Kg
Weight BTTO	3 Kg
Number of cartons	1 pcs
Package volume	0.029 m <sup>3</sup>
Package 1 width	0.31 m
Package 1 length	0.31 m
Package 1 height	0.305 m
Warranty*	60 months

\*The warranty for the batteries is valid for 12 months from the date of purchase.

Installation dimensions:



Additional assortment:

Base for surface mounting

Product code	Name	Color	Description	Picture	Drawing
33521	BD1/BP 2-1	white Ral9003			

Lampshade

Product code	Name	Color	Description	Picture	Drawing
20596	PE02	white		