



SKAT 2

IN-12BD1/PE02 C HF*

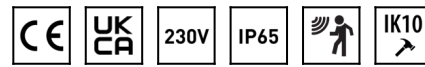
WWW.OSMONT.CZ

SKAT 2

Product code: SKA40141

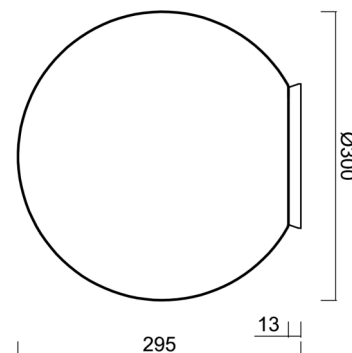
Type: IN-12BD1/PE02 C HF*

Short description of the luminaire: Black color | surface-mounted E27 light | microwave HF sensor | polyethylene shade



Technical

Types of luminaires	Sensor
Mounting type	surface mounted
Base material	polycarbonate
Shade material	polyethylene
Base color	black Ral9005
Shade color	white
Holding the shade	bayonet
Mounting location	ceiling/wall
Width	300 mm
Length	300 mm
Height	300 mm
Diameter	ø 300 mm
mounting holes (diameter)	4xø5mm
Installation wire (diameter)	2xø16mm
Impact strength	IK10
Operating temperature	from -20°C to +30°C



Electric

Power consumption	25 W
Ingress Protection	IP65
Socket	E27
Sensor	HF
terminal block	screw terminal block

Luminous

Blue light hazard	Risk group 0
-------------------	--------------

Eulum data for calculation programs are available at www.osmont.cz.

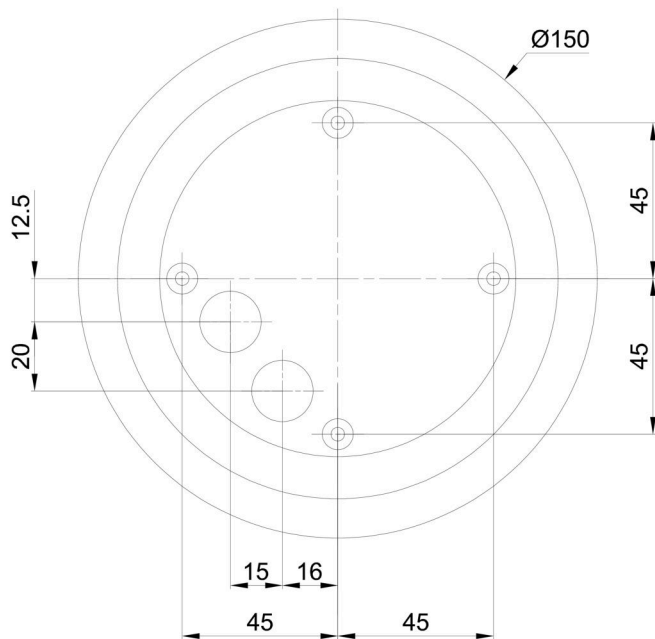


Logistic

EAN	8591728117092
Weight NTTO	1.7 Kg
Weight BTTO	2 Kg
Number of cartons	1 pcs
Package volume	0.03 m ³
Package 1 width	0.31 m
Package 1 length	0.31 m
Package 1 height	0.31 m
Warranty*	60 months

*The warranty for the batteries is valid for 12 months from the date of purchase.

Installation dimensions:



Additional assortment:

Base for surface mounting

Product code	Name	Color	Description	Picture	Drawing
33521	BD1/BP 2-1	white Ral9003			

Lampshade

Product code	Name	Color	Description	Picture	Drawing
20596	PE02	white		