



## SKAT 2

---

IN-12BD1/PE02 B HF\*

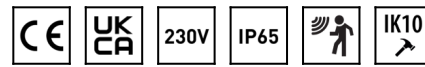
[WWW.OSMONT.CZ](http://WWW.OSMONT.CZ)

# SKAT 2

Product code: SKA40140

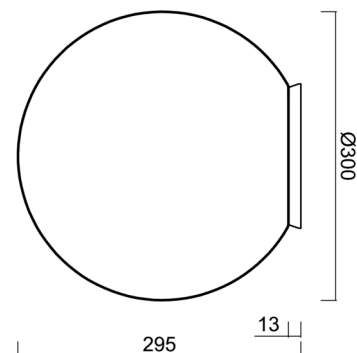
Type: IN-12BD1/PE02 B HF\*

Short description of the luminaire: White color | surface-mounted E27 light | microwave HF sensor | polyethylene shade



## Technical

Types of luminaires	Sensor
Mounting type	surface mounted
Base material	polycarbonate
Shade material	polyethylene
Base color	white Ral9003
Shade color	white
Holding the shade	bayonet
Mounting location	ceiling/wall
Width	300 mm
Length	300 mm
Height	300 mm
Diameter	ø 300 mm
mounting holes (diameter)	4xø5mm
Installation wire (diameter)	2xø16mm
Impact strength	IK10
Operating temperature	from -20°C to +30°C



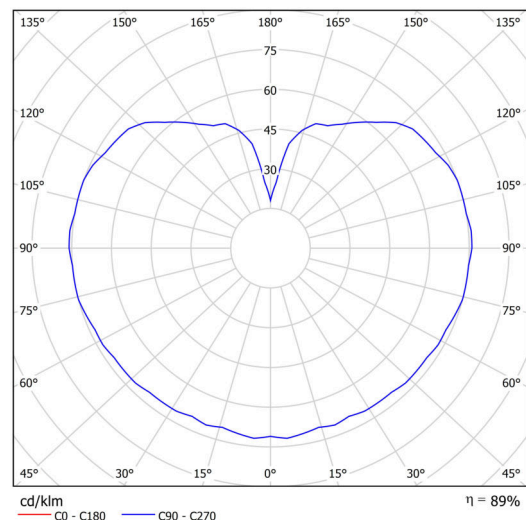
## Electric

Power consumption	25 W
Ingress Protection	IP65
Socket	E27
Sensor	HF
terminal block	screw terminal block

## Luminous

Blue light hazard	Risk group 0
-------------------	--------------

Eulum data for calculation programs are available at [www.osmont.cz](http://www.osmont.cz).

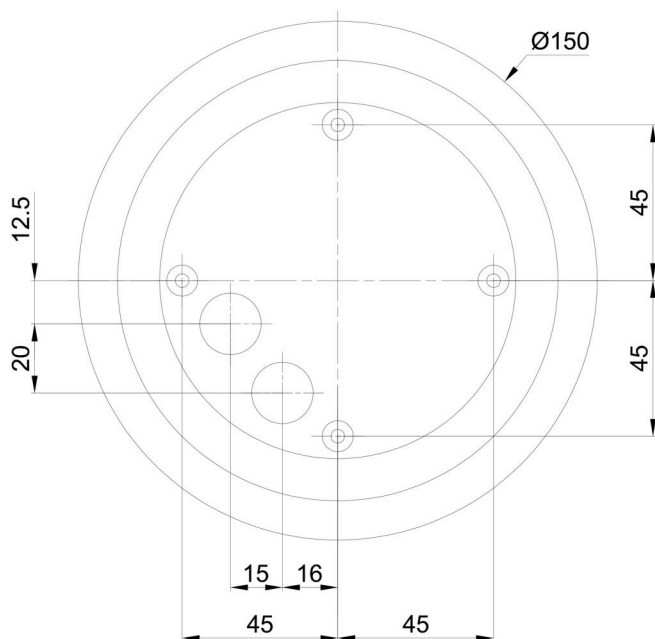


Logistic

EAN	8591728089481
Weight NTTO	1.7 Kg
Weight BTTO	2 Kg
Number of cartons	1 pcs
Package volume	0.03 m <sup>3</sup>
Package 1 width	0.31 m
Package 1 length	0.31 m
Package 1 height	0.31 m
Warranty*	60 months


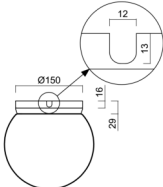
\*The warranty for the batteries is valid for 12 months from the date of purchase.

Installation dimensions:



Additional assortment:

Base for surface mounting

Product code	Name	Color	Description	Picture	Drawing
33521	BD1/BP 2-1	white Ral9003			

Lampshade

Product code	Name	Color	Description	Picture	Drawing
20596	PE02	white		