



## SAGITA V2

---

IN-22KNV83/PC53\*

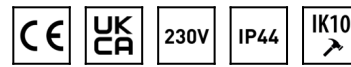
[WWW.OSMONT.CZ](http://WWW.OSMONT.CZ)

# SAGITA V2

Product code: SAG52582

Type: IN-22KNV83/PC53\*

Short description of the luminaire: White semi-recessed E27 light ON/OFF and polycarbonate shade.



## Technical

Types of luminaires	Classic on/off
Mounting type	semi-recessed
Base material	steel
Shade material	opal polycarbonate
Base color	white Ra9003
Shade color	white
Holding the shade	folding system
Mounting location	ceiling/wall
Width	400 mm
Length	400 mm
Height	78 mm
Diameter	ø 400 mm
mounting holes (diameter)	none
Installation wire (diameter)	2xØ16mm
Impact strength	IK10
Operating temperature	from -20°C to +30°C

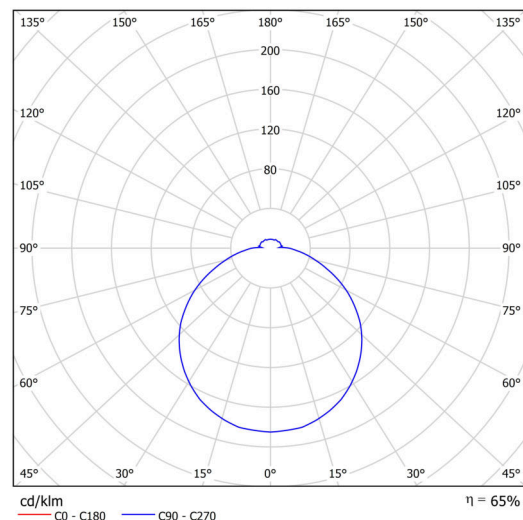
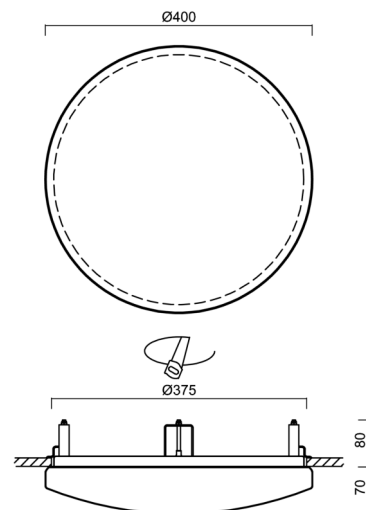
## Electric

Voltage type	AC
AC voltage	220 - 240 V
Power consumption	2x25 W
Ingress Protection	IP44
Socket	E27
terminal block	snap terminal block

## Luminous

Blue light hazard	Risk group 0
-------------------	--------------

Eulum data for calculation programs are available at [www.osmont.cz](http://www.osmont.cz).



Logistic

EAN	8591728525828
Weight NTTO	1.9 Kg
Weight BTTO	2.4 Kg
Number of cartons	1 pcs
Package volume	0.049 m <sup>3</sup>
Package 1 width	0.454 m
Package 1 length	0.454 m
Package 1 height	0.24 m
Warranty*	60 months

\*The warranty for the batteries is valid for 12 months from the date of purchase.

Installation dimensions:



Svítidlo nesmí být z horní strany zakryto izolací.  
Luminaire must not be covered with insulating matting.



Rozměry dutiny pro vestavné svítidlo [mm]:  
Dimensions of cavity for recessed luminaire [mm]:



## Additional assortment:

## Lampshade

Product code	Name	Color	Description	Picture	Drawing
20554	PC53	white		