



## SAGITA 2

---

LED-1L16EMP700KN83/PC53 NK3HST 3K#

[WWW.OSMONT.CZ](http://WWW.OSMONT.CZ)

# SAGITA 2

Product code: SAG68260

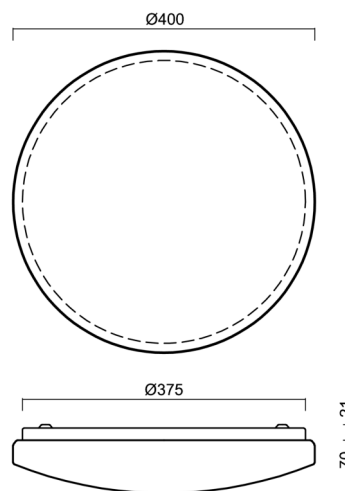
Type: LED-1L16EMP700KN83/PC53 NK3HST 3K#

Short description of the luminaire: White colour | ceiling or wall LED light with emergency backup combined ( with Self-test) | multipower driver | opal polycarbonate shade (PC)



## Technical

Types of luminaires	Emergency combined SELFTEST
Mounting type	surface mounted
Base material	steel
Shade material	opal polycarbonate
Base color	white Ral9003
Shade color	white
Holding the shade	folding system
Mounting location	ceiling/wall
Width	400 mm
Length	400 mm
Height	86 mm
mounting holes (diameter)	3xØ5mm
Cable entrance	2xØ16mm
Energy Class	D
Impact strength	IK10
Operating temperature	from -20°C to +30°C

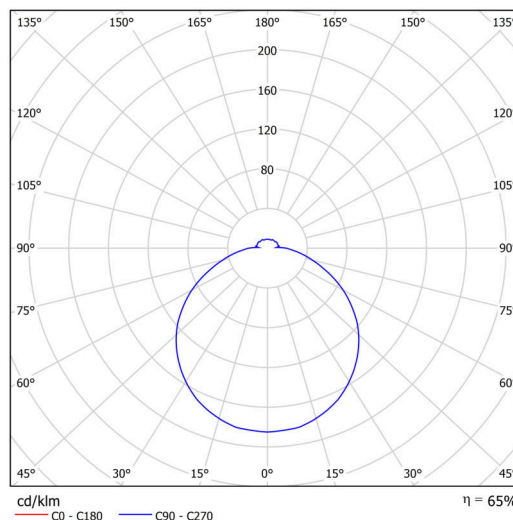


## Electric

Power consumption	34 W
Ingress Protection	IP54
Socket	LED modul
Battery type	LiFePO4
Emergency time	3 hours
SELFTEST	yes
terminal block	snap terminal block
Automatic circuit breaker type B10A	37 pcs
Automatic circuit breaker type B16A	59 pcs
Automatic circuit breaker type C10A	37 pcs
Automatic circuit breaker type C16A	59 pcs

## Luminous

Lum. flux of luminaire	3280 lm
Lum. flux of light source	5050 lm
Lum. flux of light source in emergency mode	200 lm
Luminaire efficacy	96 lm/W
Temperature	3000 K
Rated life time LED L80/B10	100000 hours
CRI	Ra80
MacAdam	3



## TECHNICAL SHEET



Blue light hazard	Risk group 0
-------------------	--------------

*Eulum data for calculation programs are available at  
www.osmont.cz.*

### Multipower

Possibility of output adjustment by the user (DIP switch on the current source).

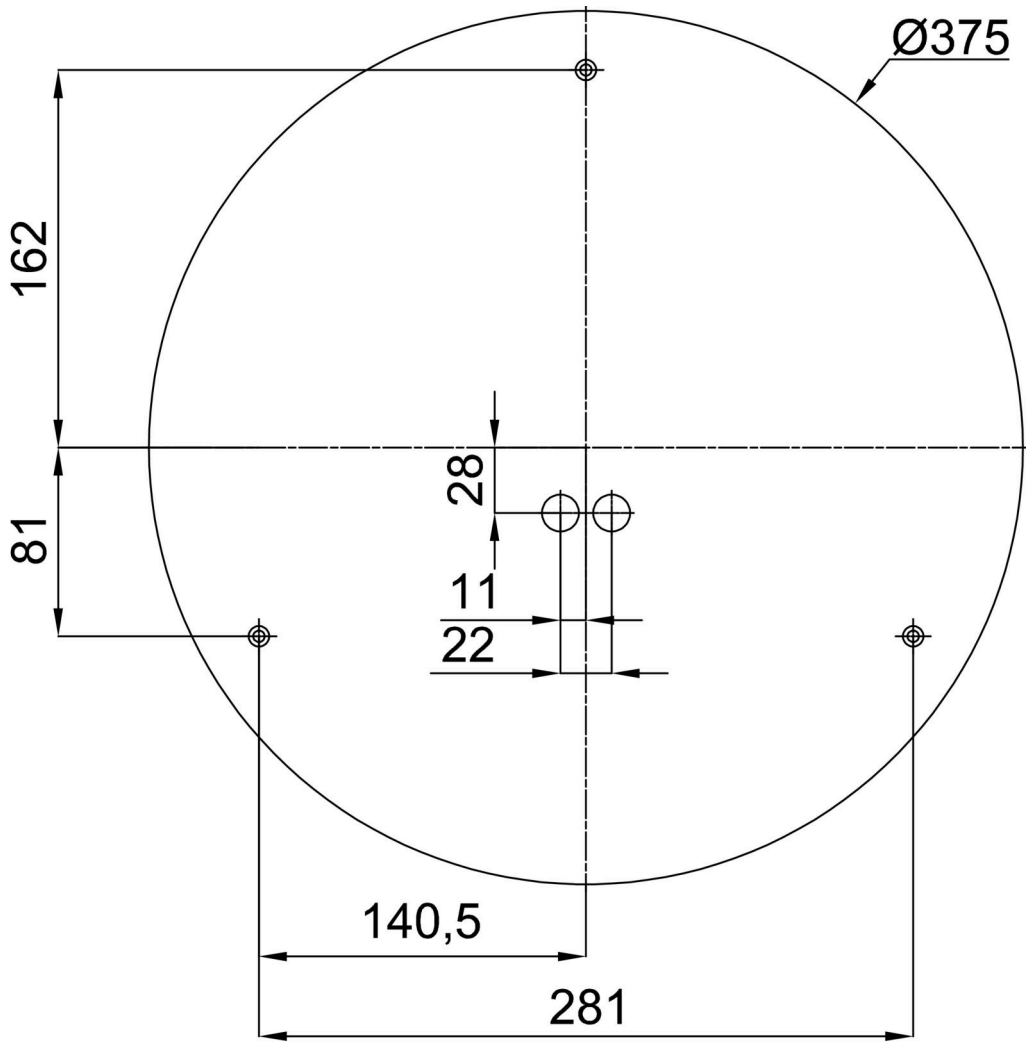
I [mA]	700	600	500	400	
[%]	100	86	71	57	

### Logistic

EAN	8591728159184
Weight NTTO	1.8 Kg
Weight BTTO	2.2 Kg
Number of cartons	1 pcs
Package volume	0.02 m <sup>3</sup>
Package 1 width	0.405 m
Package 1 length	0.42 m
Package 1 height	0.12 m
Warranty*	60 months

*\*The warranty for the batteries is valid for 12 months from the date of purchase.*

### Installation dimensions:



Additional assortment:

Base for surface mounting

Product code	Name	Color	Description	Picture	Drawing
33502	KN8,K8/BP	white Ra19003	příslušenství		

Lampshade

Product code	Name	Color	Description	Picture	Drawing
20554	PC53	white	příslušenství	