



## NEVA 2

---

IN-22U9/228\*

[WWW.OSMONT.CZ](http://WWW.OSMONT.CZ)

# NEVA 2

Product code: NEV41616

Type: IN-22U9/228\*

Short description of the luminaire: White surface-mounted E27 light ON/OFF with TRIPLEX OPAL glass shade.



## Technical

Types of luminaires	Classic on/off
Mounting type	surface mounted
Base material	steel
Shade material	three-layer glass TRIPLEX OPAL
Base color	white Ral9003
Shade color	white
Holding the shade	folding system
Mounting location	ceiling/wall
Width	340 mm
Length	170 mm
Height	195 mm
mounting holes (diameter)	4xØ5mm
Installation wire (diameter)	2xØ16mm
Impact strength	IK01
Operating temperature	from -20°C to +30°C



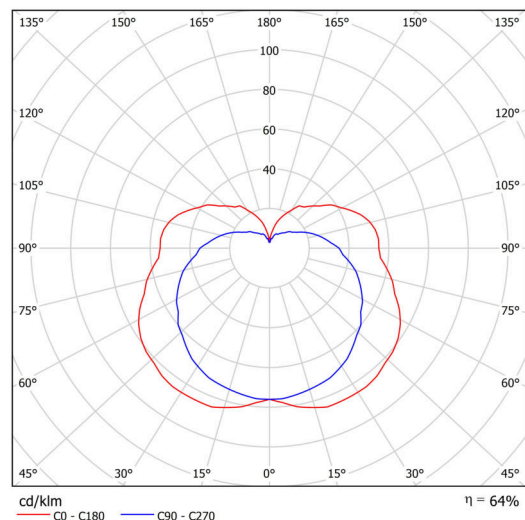
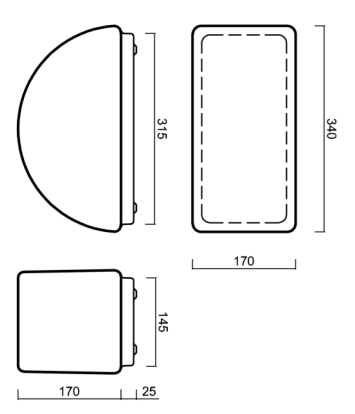
## Electric

Power consumption	2x25 W
Ingress Protection	IP43
Socket	E27
terminal block	screw terminal block

## Luminous

Blue light hazard	Risk group 0
-------------------	--------------

Eulum data for calculation programs are available at [www.osmont.cz](http://www.osmont.cz).

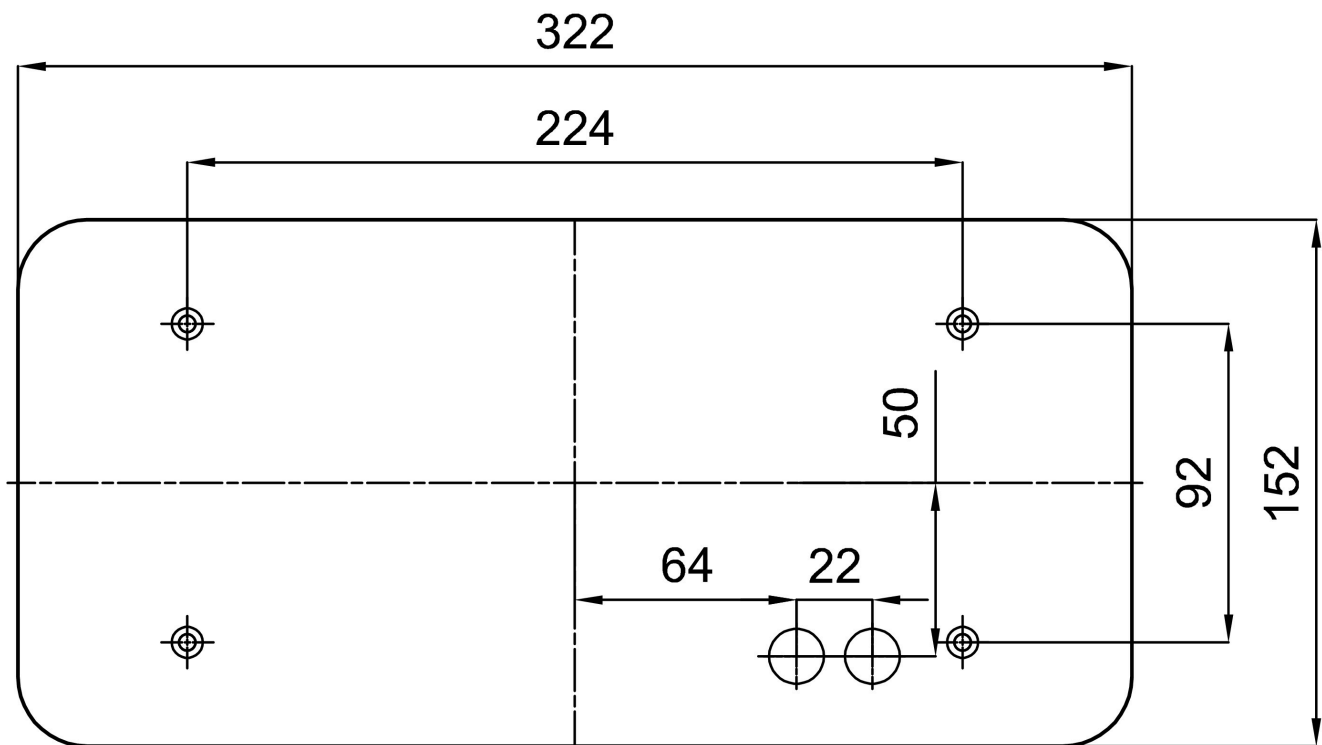


Logistic

EAN	8591728416164
Weight NTTO	2.5 Kg
Weight BTTO	2.7 Kg
Number of cartons	1 pcs
Package volume	0.014 m <sup>3</sup>
Package 1 width	0.355 m
Package 1 length	0.19 m
Package 1 height	0.205 m
Warranty*	60 months

\*The warranty for the batteries is valid for 12 months from the date of purchase.

Installation dimensions:



## Additional assortment:

## Lampshade

Product code	Name	Color	Description	Picture	Drawing
20025	228	white		