

## NELA 3

---

IN-12U7/268 HF\*

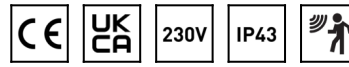
[WWW.OSMONT.CZ](http://WWW.OSMONT.CZ)

# NELA 3

Product code: NEL46121

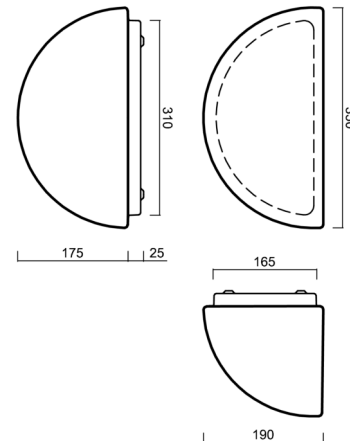
Type: IN-12U7/268 HF\*

Short description of the luminaire: White surface-mounted E27 light with sensor with TRIPLEX OPAL glass shade.



## Technical

Types of luminaires	Sensor
Mounting type	surface mounted
Base material	steel
Shade material	three-layer glass TRIPLEX OPAL
Base color	white Ral9003
Shade color	white
Holding the shade	screws
Mounting location	wall
Width	350 mm
Length	190 mm
Height	200 mm
mounting holes (diameter)	3xØ5mm
Installation wire (diameter)	2xØ16mm
Impact strength	IK01
Operating temperature	from -20°C to +30°C



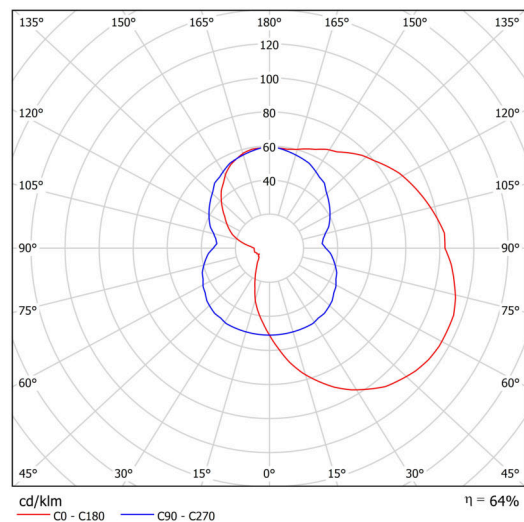
## Electric

Power consumption	25 W
Ingress Protection	IP43
Socket	E27
Sensor	HF
terminal block	snap terminal block

## Luminous

Blue light hazard	Risk group 0
-------------------	--------------

Eulum data for calculation programs are available at [www.osmont.cz](http://www.osmont.cz).

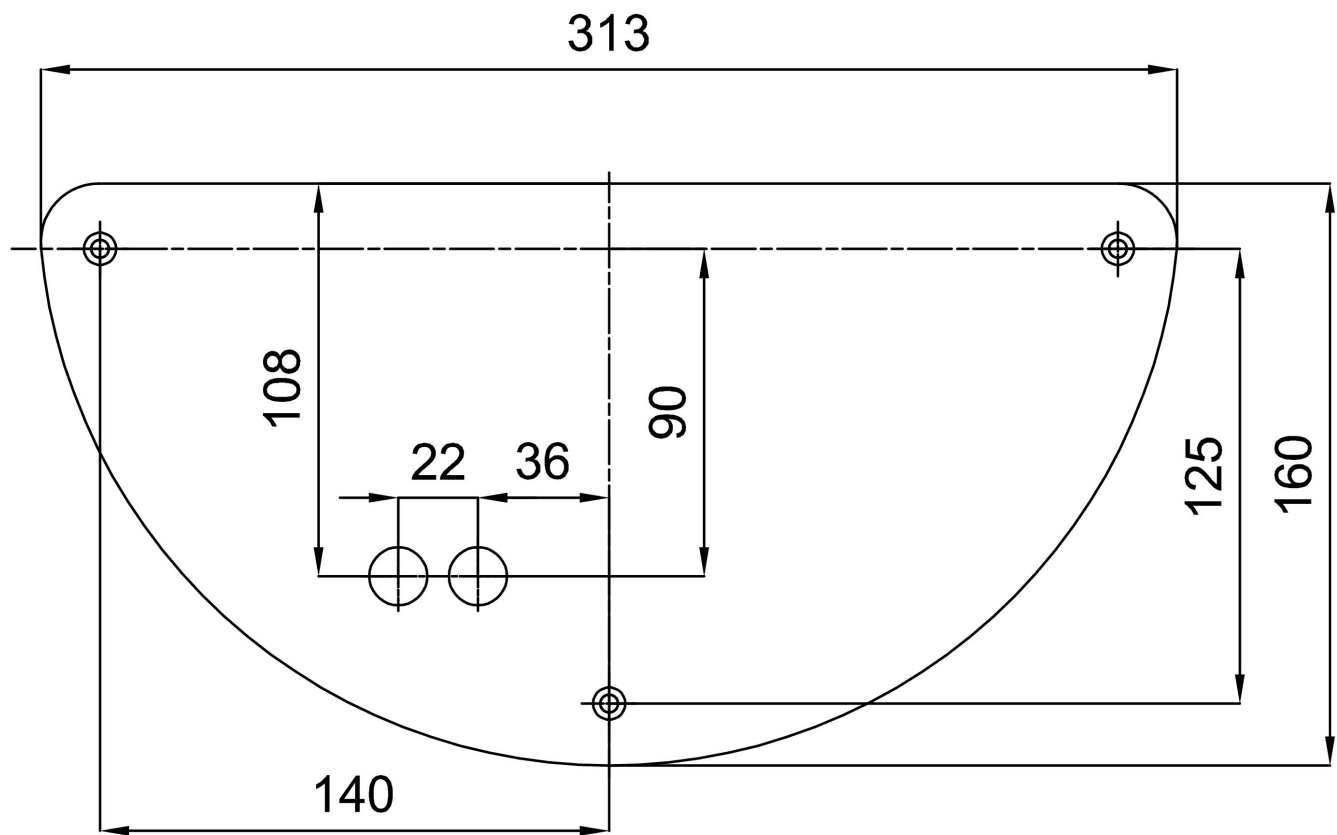


Logistic

EAN	8591728461218
Weight NTTO	3 Kg
Weight BTTO	3.2 Kg
Number of cartons	1 pcs
Package volume	0.019 m <sup>3</sup>
Package 1 width	0.425 m
Package 1 length	0.22 m
Package 1 height	0.205 m
Warranty*	60 months

\*The warranty for the batteries is valid for 12 months from the date of purchase.

Installation dimensions:



## Additional assortment:

## Lampshade

Product code	Name	Color	Description	Picture	Drawing
20022	268	white		