



LINA 3

IN-12K64/037*

WWW.OSMONT.CZ

LINA 3

Product code: LIN43047

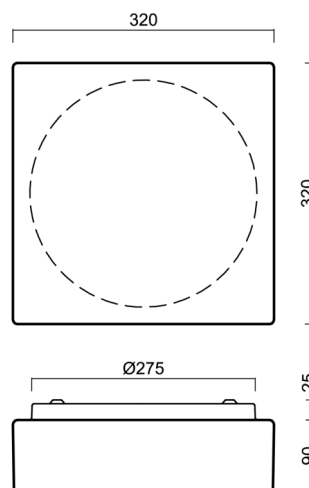
Type: IN-12K64/037*

Short description of the luminaire: White surface-mounted E27 light ON/OFF with TRIPLEX OPAL glass shade.



Technical

Types of luminaires	Classic on/off
Mounting type	surface mounted
Base material	steel
Shade material	three-layer glass TRIPLEX OPAL
Base color	white Ral9003
Shade color	white
Holding the shade	folding system
Mounting location	ceiling/wall
Width	320 mm
Length	320 mm
Height	115 mm
mounting holes (diameter)	4xØ5mm
Installation wire (diameter)	2xØ16mm
Impact strength	IK01
Operating temperature	from -20°C to +30°C



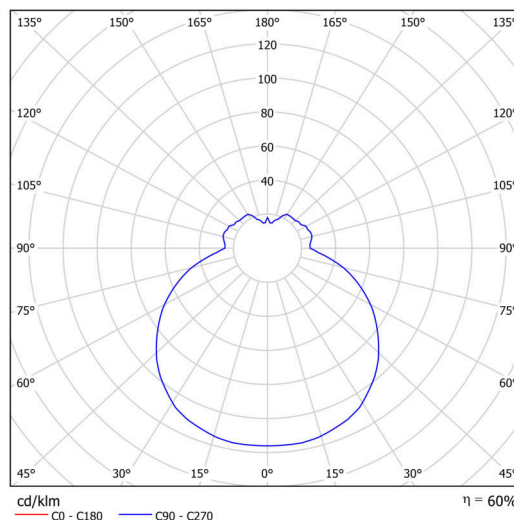
Electric

Voltage type	AC
AC voltage	220 - 240 V
Power consumption	25 W
Ingress Protection	IP43
Socket	E27
terminal block	snap terminal block

Luminous

Blue light hazard	Risk group 0
-------------------	--------------

Eulum data for calculation programs are available at www.osmont.cz.

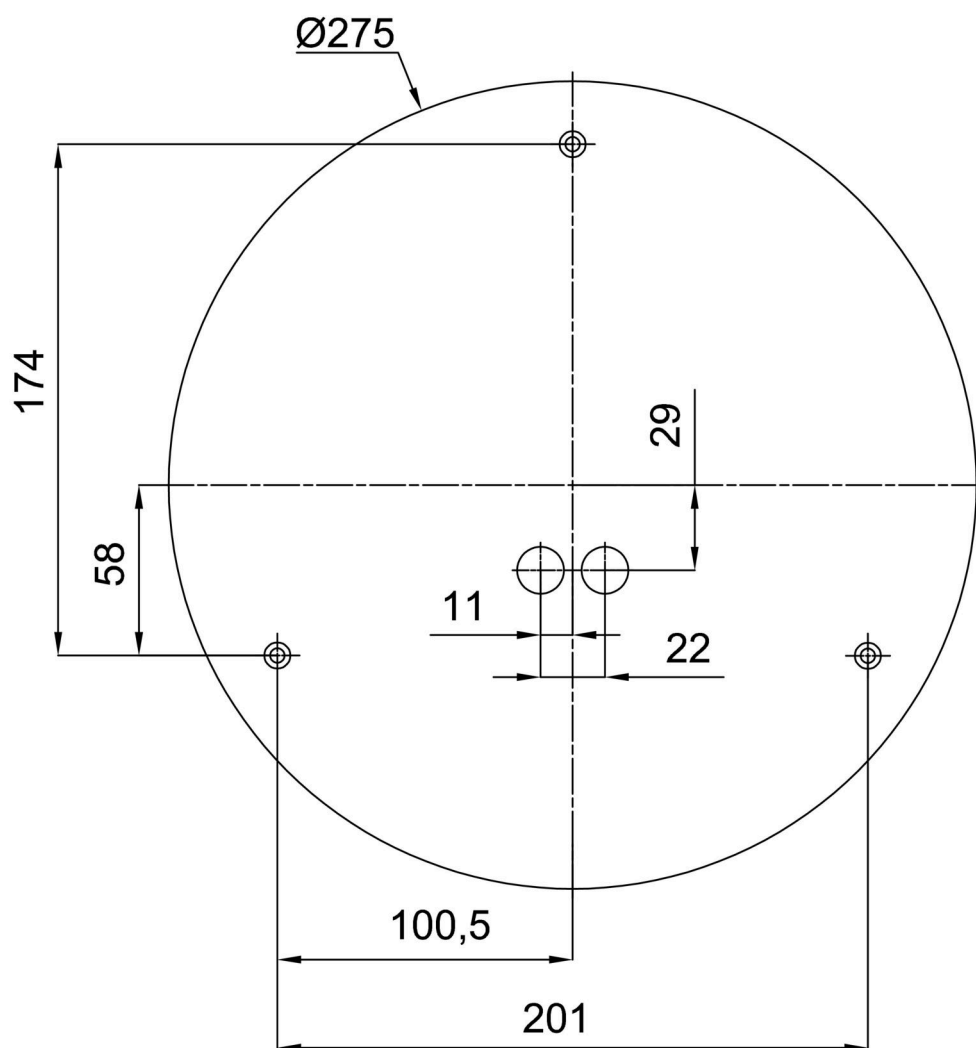


Logistic

EAN	8591728430474
Weight NTTO	3 Kg
Weight BTTO	3.3 Kg
Number of cartons	1 pcs
Package volume	0.017 m ³
Package 1 width	0.375 m
Package 1 length	0.355 m
Package 1 height	0.13 m
Warranty*	60 months

*The warranty for the batteries is valid for 12 months from the date of purchase.

Installation dimensions:



Additional assortment:

Lampshade

Product code	Name	Color	Description	Picture	Drawing
20014	037	white		