

## KUMA LE3

---

LED-5L76E1050ZLE/437/L100 B 4K##

[WWW.OSMONT.CZ](http://WWW.OSMONT.CZ)

# KUMA LE3

Product code: KUM70985

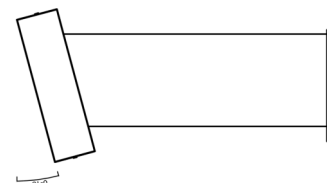
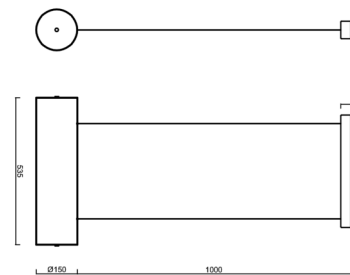
Type: LED-5L76E1050ZLE/437/L100 B 4K##

Short description of the luminaire: White pendant LED light ON/OFF with TRIPLEX OPAL glass shade



## Technical

|                              |                                   |
|------------------------------|-----------------------------------|
| Types of luminaires          | Classic on/off                    |
| Mounting type                | Suspended - SELV wire (cableless) |
| Base material                | steel                             |
| Shade material               | three-layer glass TRIPLEX OPAL    |
| Base color                   | white Ra19003                     |
| Shade color                  | white                             |
| Holding the shade            | folding system                    |
| Mounting location            | ceiling                           |
| Width                        | 150 mm                            |
| Length                       | 150 mm                            |
| Height                       | 535 mm                            |
| Diameter                     | ø 150 mm                          |
| Hinge length                 | 1000 mm                           |
| mounting holes (diameter)    | 2xø5mm                            |
| Installation wire (diameter) | 1xø14mm                           |
| Energy Class                 | D                                 |
| Impact strength              | IK01                              |
| Operating temperature        | from -20°C to +30°C               |

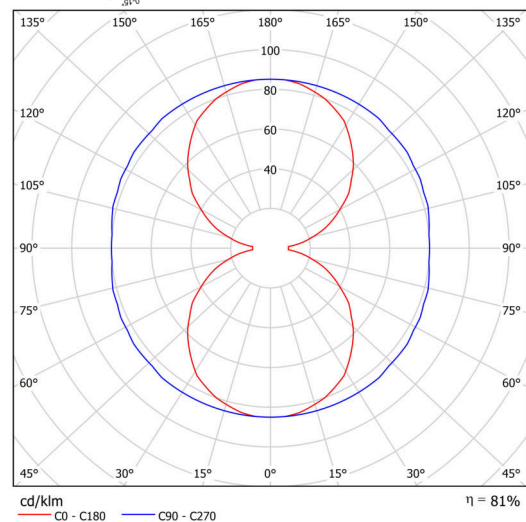


## Electric

|                                     |                     |
|-------------------------------------|---------------------|
| Power consumption                   | 31 W                |
| Ingress Protection                  | IP20                |
| Socket                              | LED modul           |
| terminal block                      | snap terminal block |
| Automatic circuit breaker type B10A | 35 pcs              |
| Automatic circuit breaker type B16A | 65 pcs              |
| Automatic circuit breaker type C10A | 35 pcs              |
| Automatic circuit breaker type C16A | 65 pcs              |

## Luminous

|                             |              |
|-----------------------------|--------------|
| Lum. flux of luminaire      | 4740 lm      |
| Lum. flux of light source   | 5450 lm      |
| Luminaire efficacy          | 152 lm/W     |
| Temperature                 | 4000 K       |
| Rated life time LED L80/B10 | 100000 hours |
| CRI                         | Ra80         |
| MacAdam                     | 3            |
| Blue light hazard           | Risk group 0 |



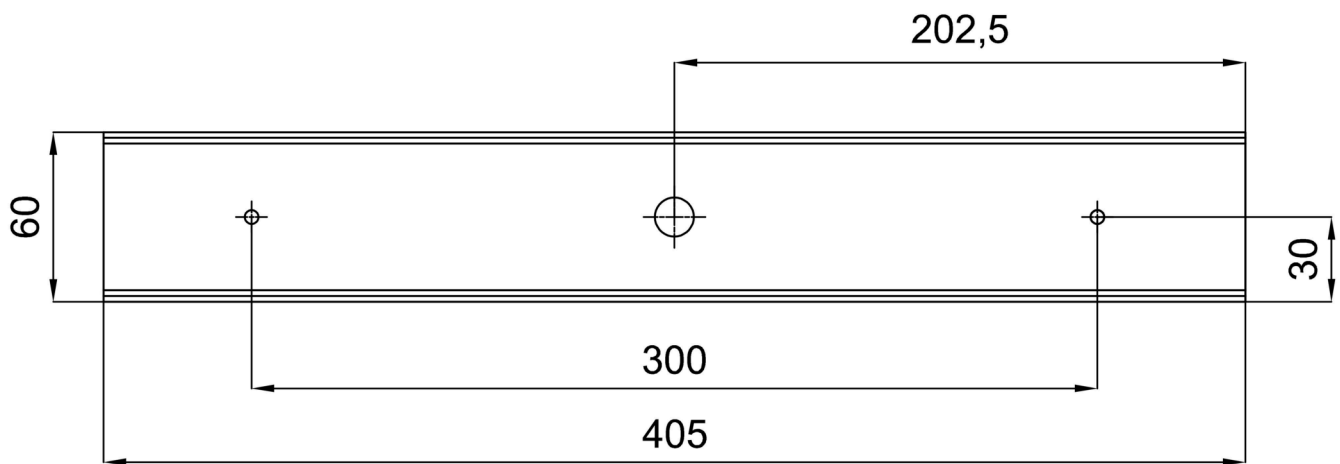
Eulum data for calculation programs are available at

Logistic

|                   |               |
|-------------------|---------------|
| EAN               | 8591728138776 |
| Weight NTTO       | 3.9 Kg        |
| Weight BTTO       | 4.1 Kg        |
| Number of cartons | 1 pcs         |
| Warranty*         | 60 months     |


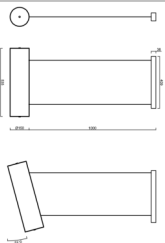
\*The warranty for the batteries is valid for 12 months from the date of purchase.

Installation dimensions:



Additional assortment:

Lampshade

| Product code | Name | Color | Description | Picture   | Drawing   |
|--------------|------|-------|-------------|---|---|
| 20139        | 437  | white |             |  |  |