

KRUGER P4 FOP

LED-6L51EMP700ZKN10/FOP4C/L100 C 4K##

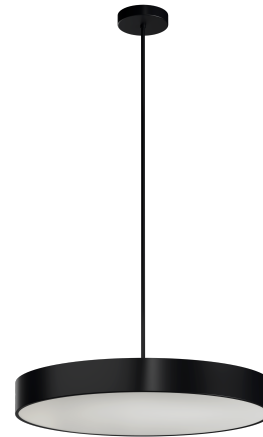
WWW.OSMONT.CZ

KRUGER P4 FOP

Product code: KRU50545

Type: LED-6L51EMP700ZKN10/FOP4C/L100 C 4K##

Short description of the luminaire: Black colour | pendant LED light ON/OFF | multipower driver | opal plastic shadel decorative collar | rod pendant 100 cm |



Technical data

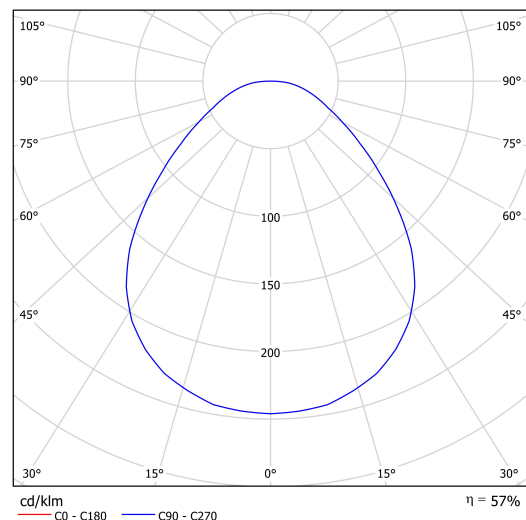
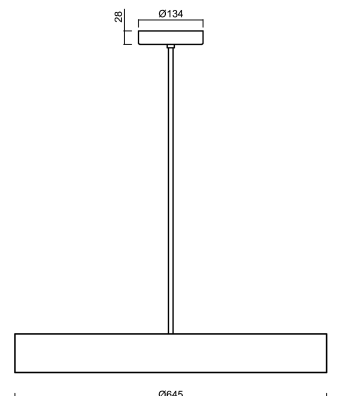
Types of luminaires	Classic on/off
Mounting type	Suspended - rod
Base material	steel
Shade material	Plastic opal prismatic (FOP) with metal collar
Base color	black Ral9005
Shade color	white
Holding the shade	folding system
Mounting location	ceiling
Width	645 mm
Length	645 mm
Height	80 mm
Diameter	ø 645 mm
Suspension length	1000 mm
mounting holes (diameter)	2xø5mm
Cable entrance	2xø16mm
Energy Class	D
Operating temperature	from -20°C to +30°C

Electrical data

Power consumption	65 W
Ingress Protection	IP40
Socket	LED modul
terminal block	screw terminal block
Automatic circuit breaker type B10A	18 pcs
Automatic circuit breaker type B16A	29 pcs
Automatic circuit breaker type C10A	18 pcs
Automatic circuit breaker type C16A	29 pcs
Number of LED drivers	2

Luminous data

Lum. flux of luminaire	6260 lm
Lum. flux of light source	10980 lm
Luminaire efficacy	96 lm/W
Chromaticity temperature	4000 K
Rated life time LED L80/B10	100000 hours
CRI	Ra80
MacAdam	3
Blue light hazard	Risk group 0



Eulum data for calculation programs are available at

OSMONT, s.r.o.
HYBRÁLEC 129,
586 01 JIHLAVA, CZ

Multipower

Possibility of output adjustment by the user (DIP switch on the current source).

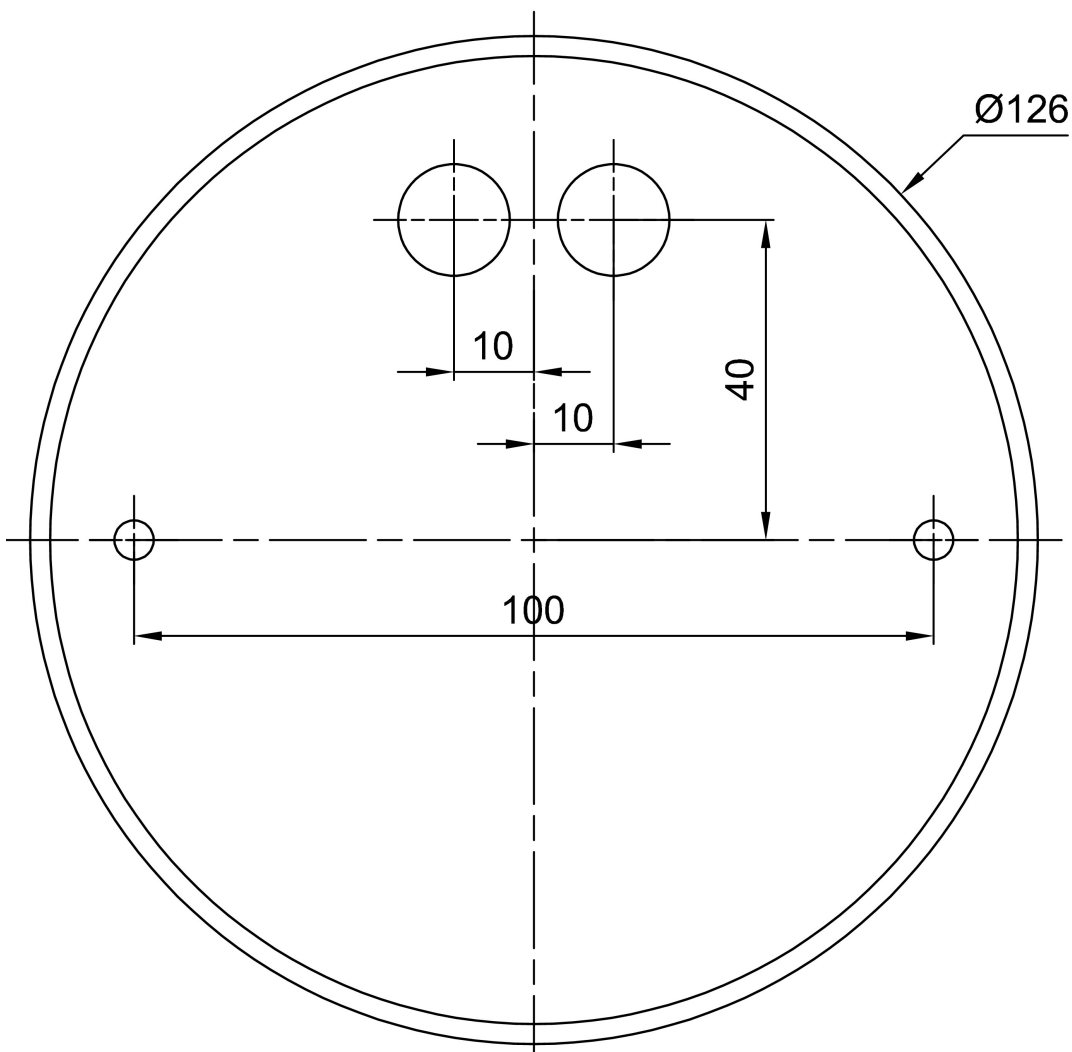
I [mA]	700	650	600	550	500	450	400	
[%]	100	93	86	79	71	64	57	

Logistical data

EAN	8591728230043
Warranty*	60 months

*The warranty for the batteries is valid for 36 months from the date of purchase.

Installation dimensions:



Additional assortment:

Lampshade

Product code	Name	Color	Picture	Drawing
20731	FOP4C	white - black	