

## KRUGER P4 FOP

LED-6L51EMP700ZKN10/FOP4B/L100 B 3K##

[WWW.OSMONT.CZ](http://WWW.OSMONT.CZ)

# KRUGER P4 FOP

Product code: KRU50037

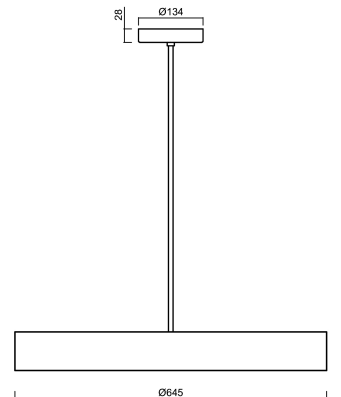
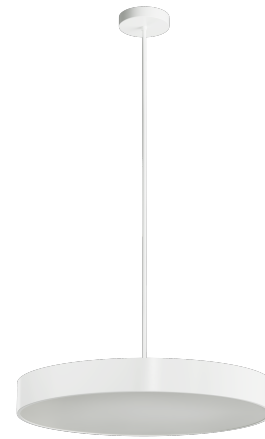
Type: LED-6L51EMP700ZKN10/FOP4B/L100 B 3K##

Short description of the luminaire: White colour | pendant LED light ON/OFF | multipower driver | opal plastic shadel decorative collar | rod pendant 100 cm |



## Technical data

|                           |  |
|---------------------------|--|
| Types of luminaires       | Classic on/off                                 |
| Mounting type             | Suspended - rod                                |
| Base material             | steel  |
| Shade material            | Plastic opal prismatic (FOP) with metal collar |
| Base color                | white Ral9003                                  |
| Shade color               | white  |
| Holding the shade         | folding system                                 |
| Mounting location         | ceiling  |
| Width                     | 645 mm   |
| Length                    | 645 mm   |
| Height                    | 80 mm  |
| Diameter                  | ø 645 mm                                       |
| Suspension length         | 1000 mm  |
| mounting holes (diameter) | 2xø5mm   |
| Cable entrance            | 2xø16mm  |
| Energy Class              | D  |
| Operating temperature     | from -20°C to +30°C                            |

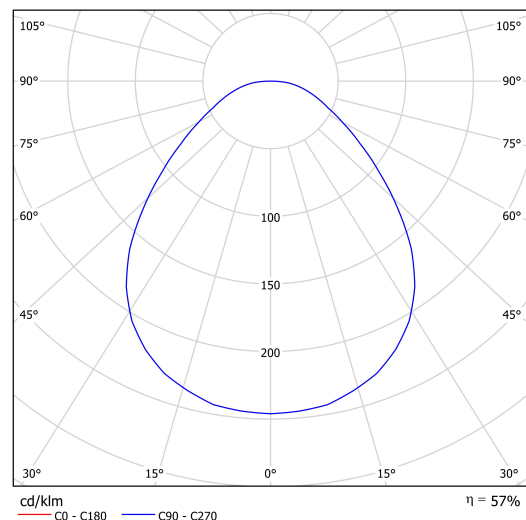


## Electrical data

|                                     |                      |
|-------------------------------------|----------------------|
| Power consumption                   | 65 W                 |
| Ingress Protection                  | IP40                 |
| Socket                              | LED modul            |
| terminal block                      | screw terminal block |
| Automatic circuit breaker type B10A | 18 pcs               |
| Automatic circuit breaker type B16A | 29 pcs               |
| Automatic circuit breaker type C10A | 18 pcs               |
| Automatic circuit breaker type C16A | 29 pcs               |
| Number of LED drivers               | 2                    |

## Luminous data

|                             |              |
|-----------------------------|--------------|
| Lum. flux of luminaire      | 6840 lm      |
| Lum. flux of light source   | 10520 lm     |
| Luminaire efficacy          | 105 lm/W     |
| Chromaticity temperature    | 3000 K       |
| Rated life time LED L80/B10 | 100000 hours |
| CRI                         | Ra80         |
| MacAdam                     | 3            |
| Blue light hazard           | Risk group 0 |



Eulum data for calculation programs are available at

OSMONT, s.r.o.  
HYBRÁLEC 129,  
586 01 JIHLAVA, CZ

**Multipower**

Possibility of output adjustment by the user (DIP switch on the current source).

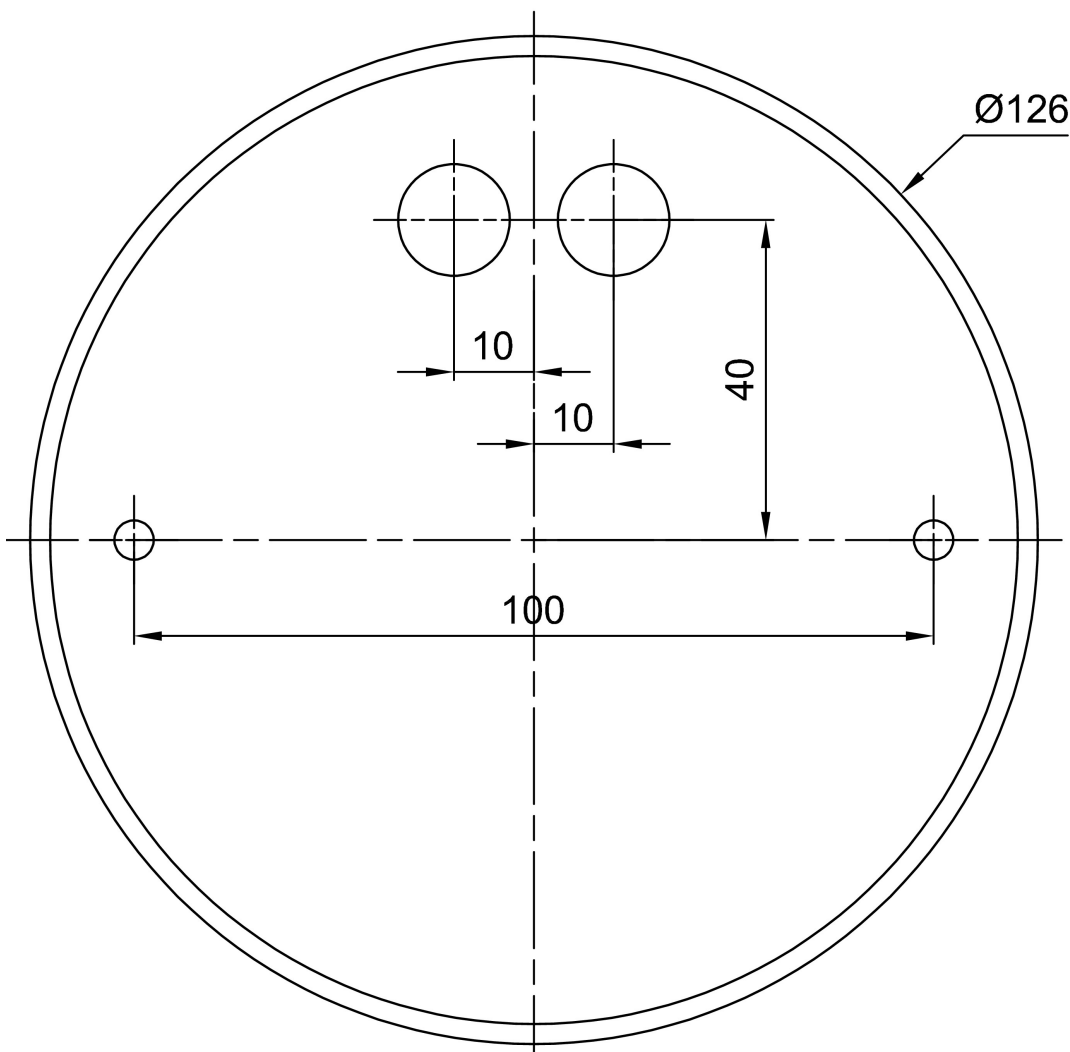
|        |     |     |     |     |     |     |     |  |
|--------|-----|-----|-----|-----|-----|-----|-----|--|
| I [mA] | 700 | 650 | 600 | 550 | 500 | 450 | 400 |  |
| [%]    | 100 | 93  | 86  | 79  | 71  | 64  | 57  |  |

**Logistical data**

|           |               |
|-----------|---------------|
| EAN       | 8591728229481 |
| Warranty* | 60 months     |

\*The warranty for the batteries is valid for 36 months from the date of purchase.

**Installation dimensions:**



Additional assortment:

Lampshade

| Product code | Name  | Color | Picture   | Drawing |
|--------------|-------|-------|---|---------|
| 20729        | FOP4B | white |  |         |