

## KRUGER P3 F0

IN-32ZKN94/F03C/z5 C HF\*

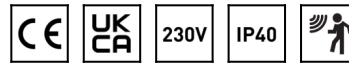
[WWW.OSMONT.CZ](http://WWW.OSMONT.CZ)

# KRUGER P3 F0

Product code: KRU40023

Type: IN-32ZKN94/F03C/z5 C HF\*

Short description of the luminaire: Black color | pendant E27 light | microwave HF sensor | opal plastic shade | decorative collar



## Technical

Types of luminaires	Sensor
Mounting type	Suspended - rod
Base material	steel
Shade material	Plastic opal (F0) with metal collar
Base color	black Ral9005
Shade color	white - black
Holding the shade	folding system
Mounting location	ceiling
Width	490 mm
Length	490 mm
Height	80 mm
Diameter	ø 490 mm
Hinge length	1000 mm
mounting holes (diameter)	2xø5mm
Installation wire (diameter)	2xø16mm
Operating temperature	from -20°C to +30°C

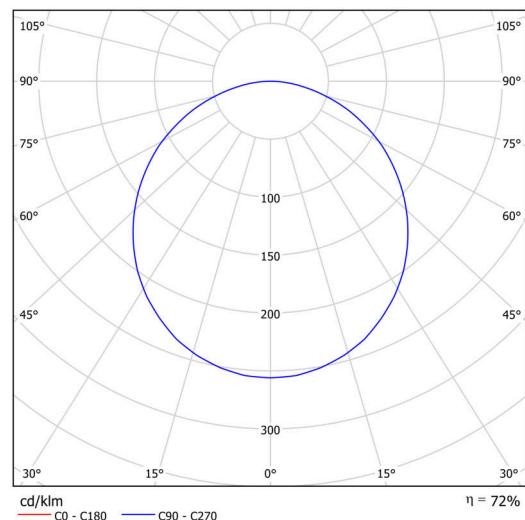
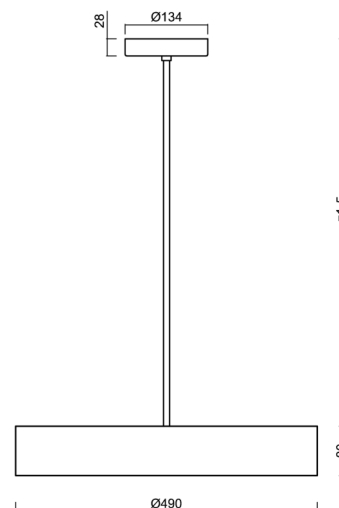
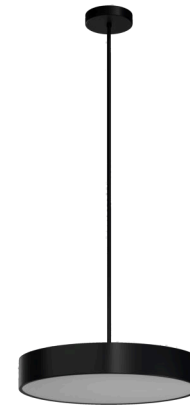
## Electric

Power consumption	3x25 W
Ingress Protection	IP40
Socket	E27
Sensor	HF
terminal block	screw terminal block

## Luminous

Blue light hazard	Risk group 0
-------------------	--------------

Eulum data for calculation programs are available at [www.osmont.cz](http://www.osmont.cz).



# TECHNICAL SHEET

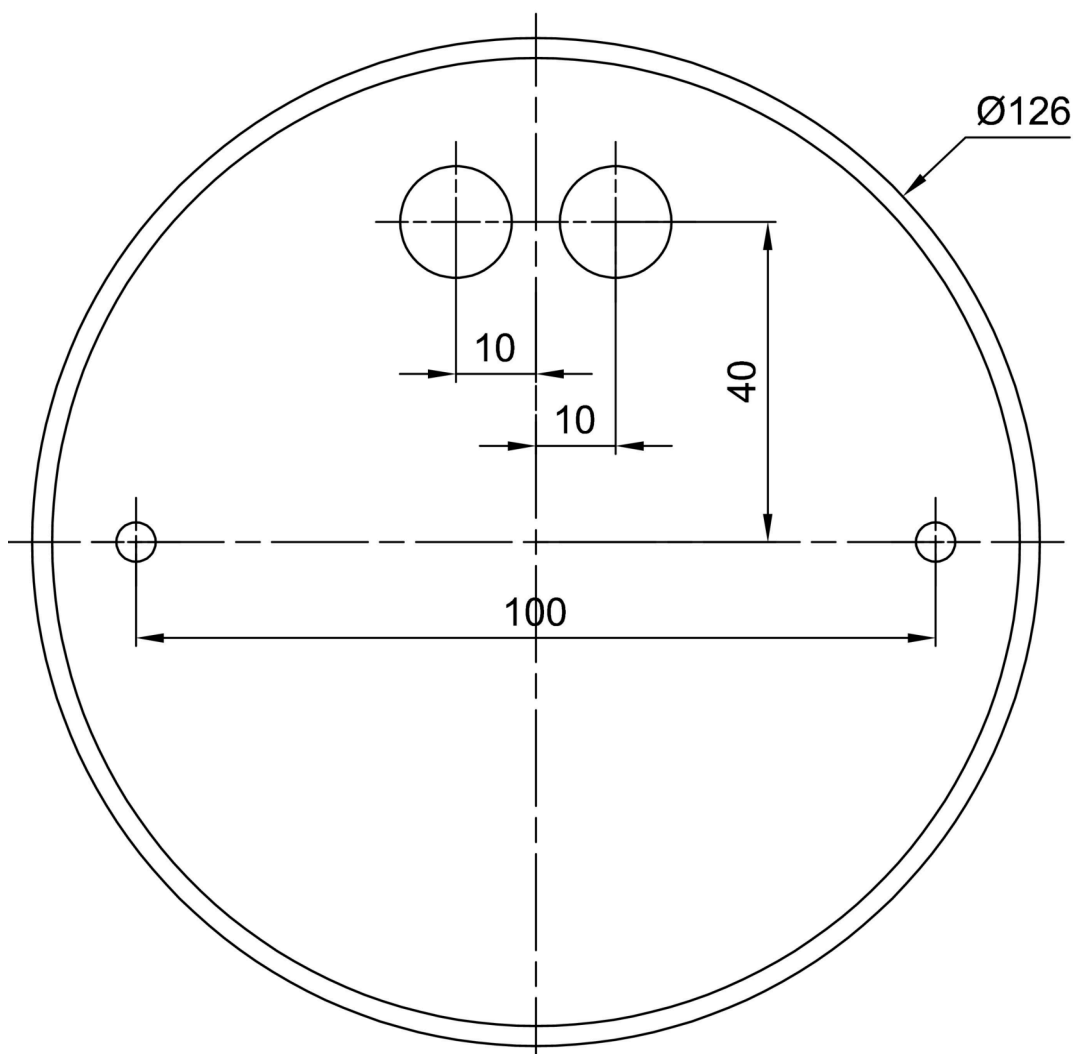


## Logistic

EAN	8591728080686
Warranty*	60 months

\*The warranty for the batteries is valid for 12 months from the date of purchase.

## Installation dimensions:



Additional assortment:

Lampshade

Product code	Name	Color	Description	Picture	Drawing
20646	F03C	white - black		