

KRUGER P2 FOP

LED-1L16ET700ZKN83/FOP2C/z5 C BT 27-65K#

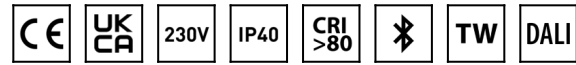
WWW.OSMONT.CZ

KRUGER P2 FOP

Product code: KRU61039

Type: LED-1L16ET700ZKN83/FOP2C/z5 C BT 27-65K#

Short description of the luminaire: Black color | pendant LED light | Bluetooth Tunable White system | opal plastic shade | decorative collar



Technical

Types of luminaires	Tunable White
Mounting type	Suspended - rod
Base material	steel
Shade material	Plastic opal prismatic (FOP) with metal collar
Base color	black Ral9005
Shade color	white - black
Holding the shade	folding system
Mounting location	ceiling
Width	395 mm
Length	395 mm
Height	80 mm
Diameter	ø 395 mm
Hinge length	1000 mm
mounting holes (diameter)	2xø5mm
Installation wire (diameter)	2xø16mm
Energy Class	D
Operating temperature	from -20°C to +30°C

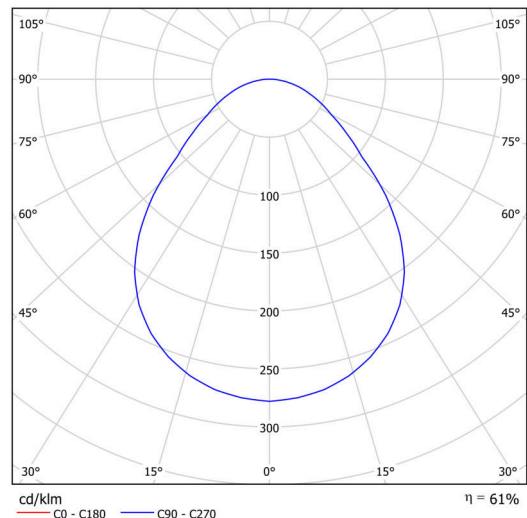
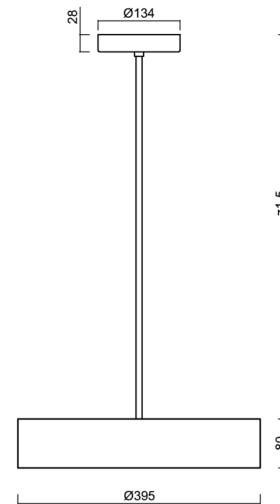
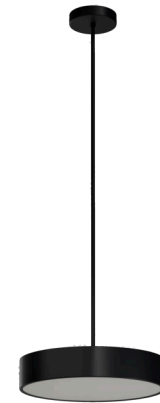
Electric

Power consumption	33 W
Ingress Protection	IP40
Socket	LED modul
terminal block	screw terminal block
Automatic circuit breaker type B10A	22 pcs
Automatic circuit breaker type B16A	36 pcs

Luminous

Lum. flux of luminaire	2750 lm
Lum. flux of light source	5090 lm
Luminaire efficacy	83 lm/W
Temperature	2700-6500 K
Rated life time LED L80/B10	100000 hours
CRI	Ra80
MacAdam	3
Blue light hazard	Risk group 0

Eulum data for calculation programs are available at www.osmont.cz.



TECHNICAL SHEET

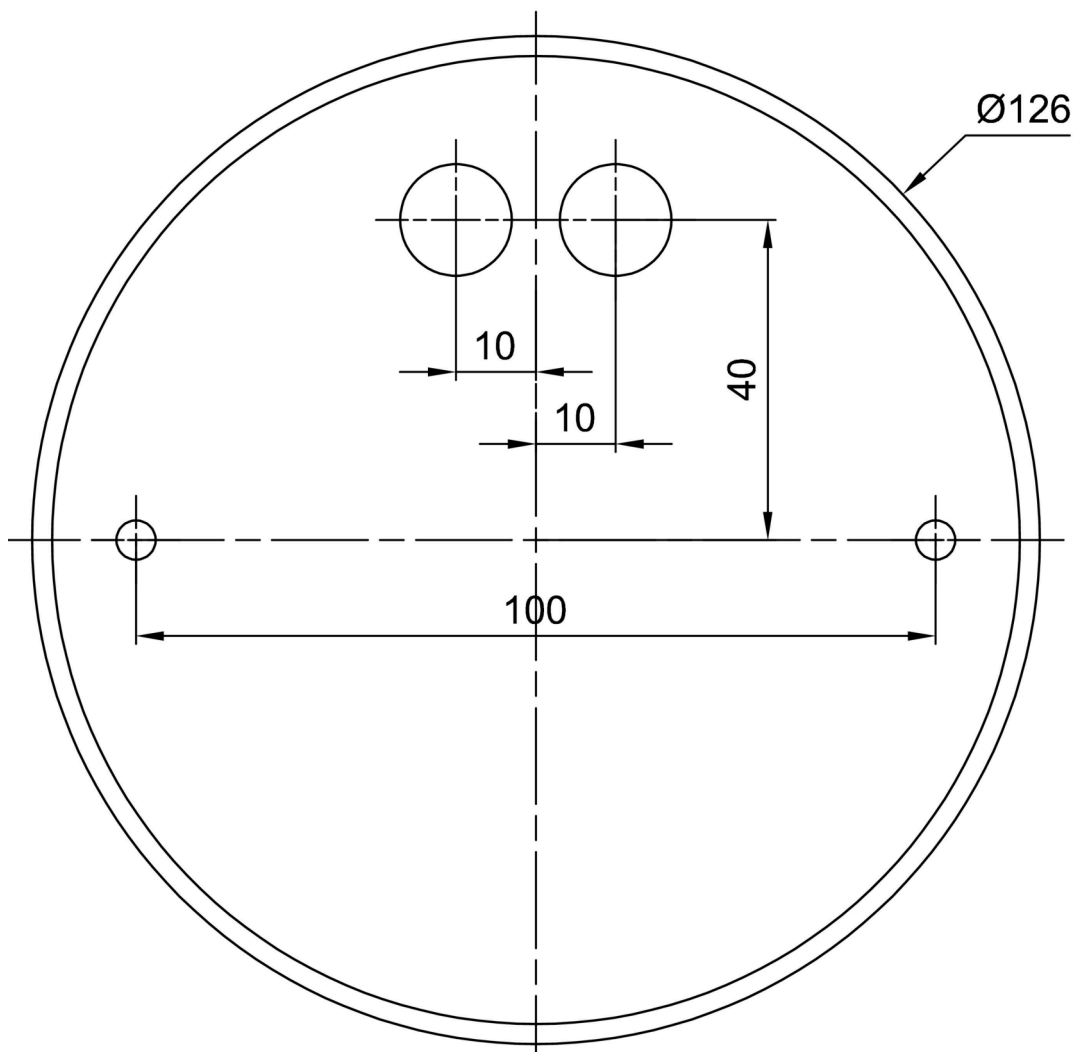


Logistic

EAN	8591728085728
Warranty*	60 months

*The warranty for the batteries is valid for 12 months from the date of purchase.

Installation dimensions:



Additional assortment:

Lampshade

Product code	Name	Color	Description	Picture	Drawing
20641	FOP2C	white - black		