

## KRUGER P1 FOP

LED-1L14EMP700ZKN62/FOP1C/z5/NK1W C 3K#

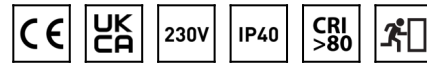
[WWW.OSMONT.CZ](http://WWW.OSMONT.CZ)

# KRUGER P1 FOP

Product code: KRU60173

Type: LED-1L14EMP700ZKN62/FOP1C/z5/NK1W C 3K#

Short description of the luminaire: Black color | pendant LED light | emergency combi unit | multipower function | opal prismatic shade | decorative collar



## Technical

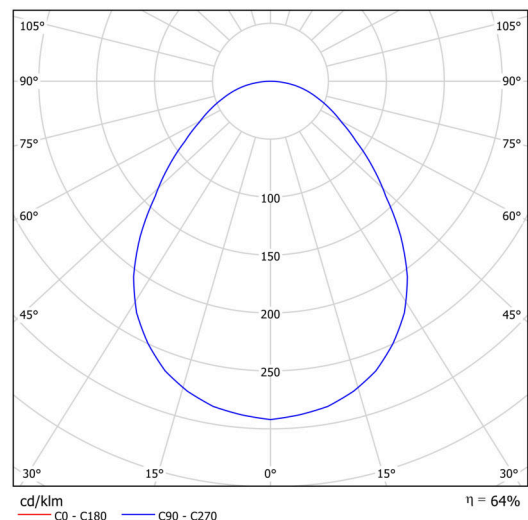
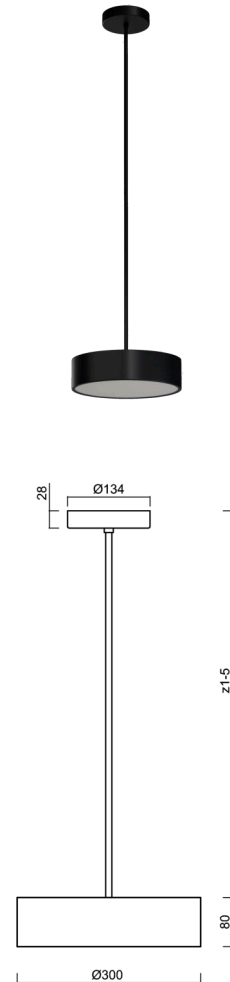
Types of luminaires	Emergency combined
Mounting type	Suspended - rod
Base material	steel
Shade material	Plastic opal prismatic (FOP) with metal collar
Base color	black Ral9005
Shade color	white - black
Holding the shade	folding system
Mounting location	ceiling
Width	300 mm
Length	300 mm
Height	80 mm
Diameter	ø 300 mm
Hinge length	1000 mm
mounting holes (diameter)	3xø5mm
Installation wire (diameter)	2xø16mm
Energy Class	D
Operating temperature	from 0°C to +30°C

## Electric

Power consumption	13 W
Ingress Protection	IP40
Socket	LED modul
Battery type	NiCd
Emergency time	3 hours
terminal block	snap terminal block
Automatic circuit breaker type B10A	26 pcs
Automatic circuit breaker type B16A	40 pcs
Automatic circuit breaker type C10A	30 pcs
Automatic circuit breaker type C16A	48 pcs

## Luminous

Lum. flux of luminaire	1450 lm
Lum. flux of light source	2690 lm
Luminaire efficacy	111 lm/W
Temperature	3000 K
Rated life time LED L80/B10	100000 hours
CRI	Ra80
MacAdam	3
Blue light hazard	Risk group 0



## TECHNICAL SHEET

Full data for calculation programs are available at  
[www.osmont.cz](http://www.osmont.cz).

### Multipower

Possibility of output adjustment by the user (DIP switch on the current source).

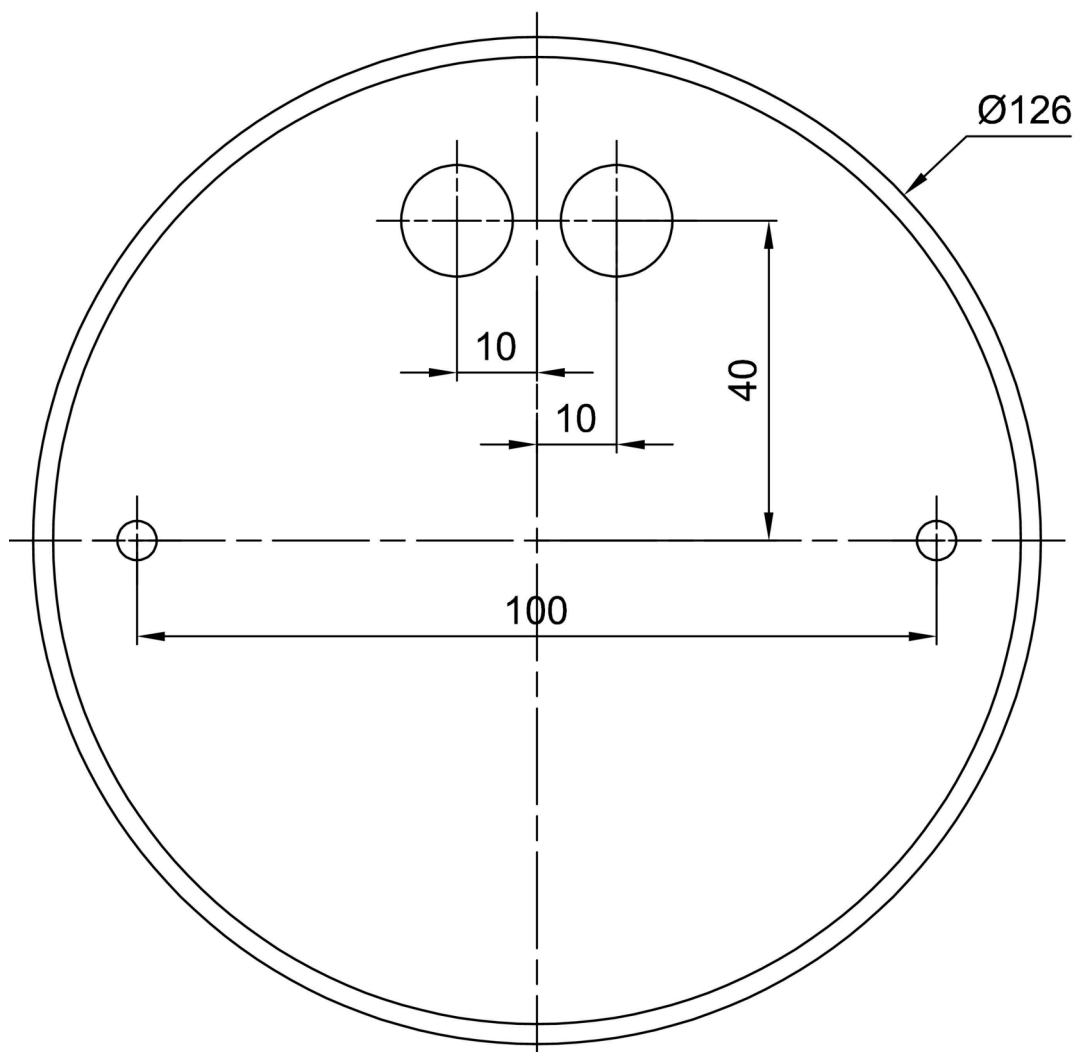
I [mA]	700	600	500	400	
[%]	100	86	71	57	

### Logistic

EAN	8591728082420
Weight NTTO	2.8 Kg
Weight BTTO	3.6 Kg
Warranty*	60 months

\*The warranty for the batteries is valid for 12 months from the date of purchase.

### Installation dimensions:



## Additional assortment:

## Lampshade

Product code	Name	Color	Description	Picture	Drawing
20635	FOP1C	white - black		