



## KRUGER 3 FOP

LED-1L20EMP1050KN94/FOP3B/NK1W 3K#

[WWW.OSMONT.CZ](http://WWW.OSMONT.CZ)

# KRUGER 3 FOP

Product code: KRU60123

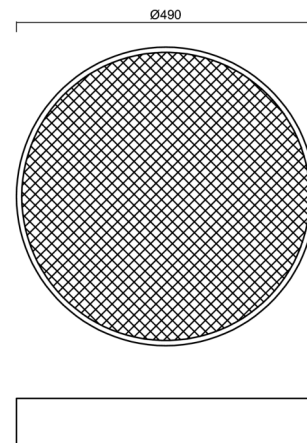
Type: LED-1L20EMP1050KN94/FOP3B/NK1W 3K#

Short description of the luminaire: White color | surface-mounted LED light | emergency combi unit | multipower function | opal prismatic shade | decorative collar



## Technical

|                              |  |
|------------------------------|--|
| Types of luminaires          | Emergency combined                             |
| Mounting type                | surface mounted                                |
| Base material                | steel  |
| Shade material               | Plastic opal prismatic (FOP) with metal collar |
| Base color                   | white Ral9003                                  |
| Shade color                  | white  |
| Holding the shade            | folding system                                 |
| Mounting location            | ceiling/wall                                   |
| Width                        | 490 mm   |
| Length                       | 490 mm   |
| Height                       | 80 mm  |
| Diameter                     | ø 490 mm                                       |
| mounting holes (diameter)    | 3xø5mm   |
| Installation wire (diameter) | 2xø16mm  |
| Energy Class                 | D  |
| Operating temperature        | from 0°C to +30°C                              |

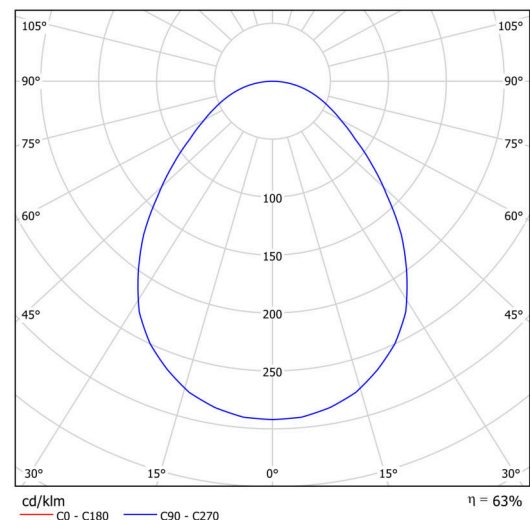


## Electric

|                                     |                     |
|-------------------------------------|---------------------|
| Power consumption                   | 48 W                |
| Ingress Protection                  | IP40                |
| Socket                              | LED modul           |
| Battery type                        | NiCd                |
| Emergency time                      | 3 hours             |
| terminal block                      | snap terminal block |
| Automatic circuit breaker type B10A | 18 pcs              |
| Automatic circuit breaker type B16A | 30 pcs              |
| Automatic circuit breaker type C10A | 21 pcs              |
| Automatic circuit breaker type C16A | 34 pcs              |

## Luminous

|                             |              |
|-----------------------------|--------------|
| Lum. flux of luminaire      | 4720 lm      |
| Lum. flux of light source   | 7740 lm      |
| Luminaire efficacy          | 98 lm/W      |
| Temperature                 | 3000 K       |
| Rated life time LED L80/B10 | 100000 hours |
| CRI                         | Ra80         |
| MacAdam                     | 3            |
| Blue light hazard           | Risk group 0 |



Eulum data for calculation programs are available at

**Multipower**

Possibility of output adjustment by the user (DIP switch on the current source).

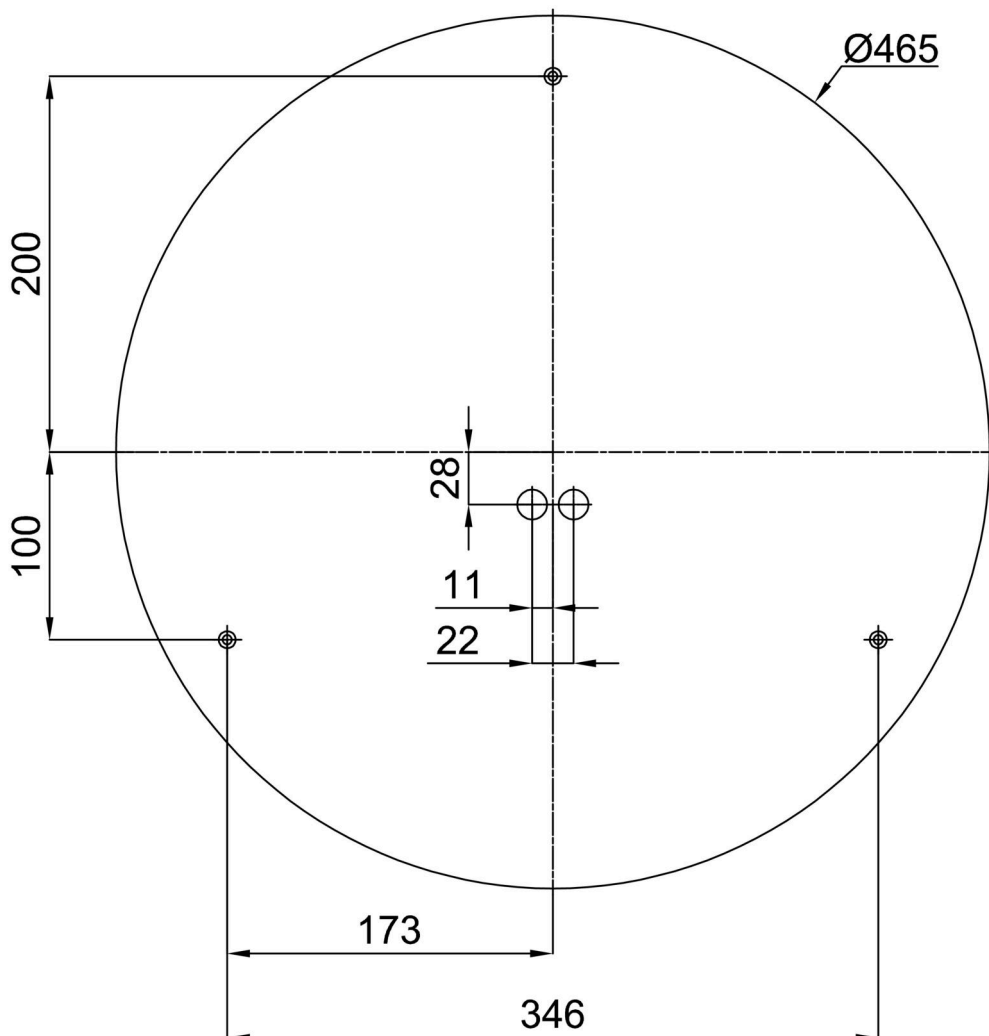
|        |      |     |     |     |  |
|--------|------|-----|-----|-----|--|
| I [mA] | 1050 | 900 | 850 | 700 |  |
| [%]    | 100  | 86  | 81  | 67  |  |

**Logistic**

|             |               |
|-------------|---------------|
| EAN         | 8591728081928 |
| Weight NTTO | 3.76 Kg       |
| Weight BTTO | 4.16 Kg       |
| Warranty*   | 60 months     |

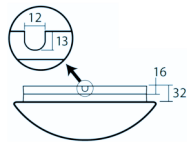
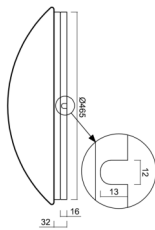
\*The warranty for the batteries is valid for 12 months from the date of purchase.

**Installation dimensions:**




Additional assortment:

Base for surface mounting

| Product code | Name           | Color            | Description | Picture  | Drawing   |
|--------------|----------------|------------------|-------------|--|---|
| 33503        | KN9,K9,B17 /BP | white<br>Ral9003 |             |  |  |

Lampshade

| Product code | Name  | Color | Description | Picture  | Drawing |
|--------------|-------|-------|-------------|--|---------|
| 20644        | FOP3B | white |             |  |         |