



KRUGER 1 FOP

LED-1L14E500KN63/FOP1B/NK1W HF 3K#

WWW.OSMONT.CZ

KRUGER 1 FOP

Product code: KRU60017

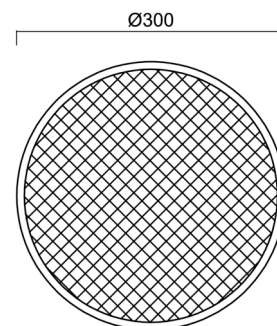
Type: LED-1L14E500KN63/FOP1B/NK1W HF 3K#

Short description of the luminaire: White color | surface-mounted LED light | emergency combi unit with microwave HF sensor | opal prismatic shade | decorative collar



Technical

Types of luminaires	Emergency combined + sensor
Mounting type	surface mounted
Base material	steel
Shade material	Plastic opal prismatic (FOP) with metal collar
Base color	white Ral9003
Shade color	white
Holding the shade	folding system
Mounting location	ceiling/wall
Width	300 mm
Length	300 mm
Height	80 mm
Diameter	ø 300 mm
mounting holes (diameter)	3xø5mm
Installation wire (diameter)	2xø16mm
Energy Class	D
Operating temperature	from -20°C to +30°C

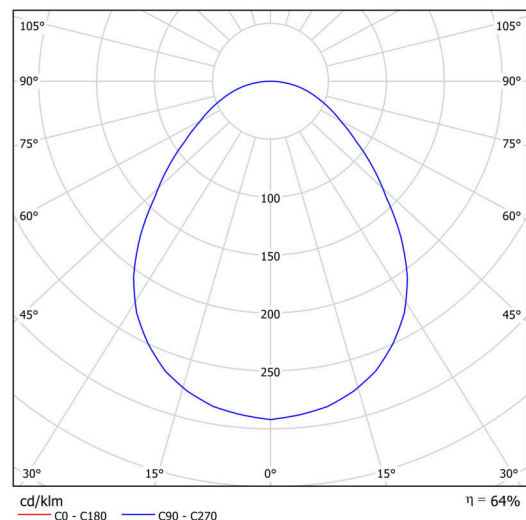


Electric

Power consumption	13 W
Ingress Protection	IP40
Socket	LED modul
Sensor	HF
Battery type	NiCd
Emergency time	3 hours
terminal block	snap terminal block
Automatic circuit breaker type B10A	23 pcs
Automatic circuit breaker type B16A	36 pcs
Automatic circuit breaker type C10A	40 pcs
Automatic circuit breaker type C16A	64 pcs

Luminous

Lum. flux of luminaire	1220 lm
Lum. flux of light source	2000 lm
Luminaire efficacy	93 lm/W
Temperature	3000 K
Rated life time LED L80/B10	100000 hours
CRI	Ra80
MacAdam	3
Blue light hazard	Risk group 0



TECHNICAL SHEET



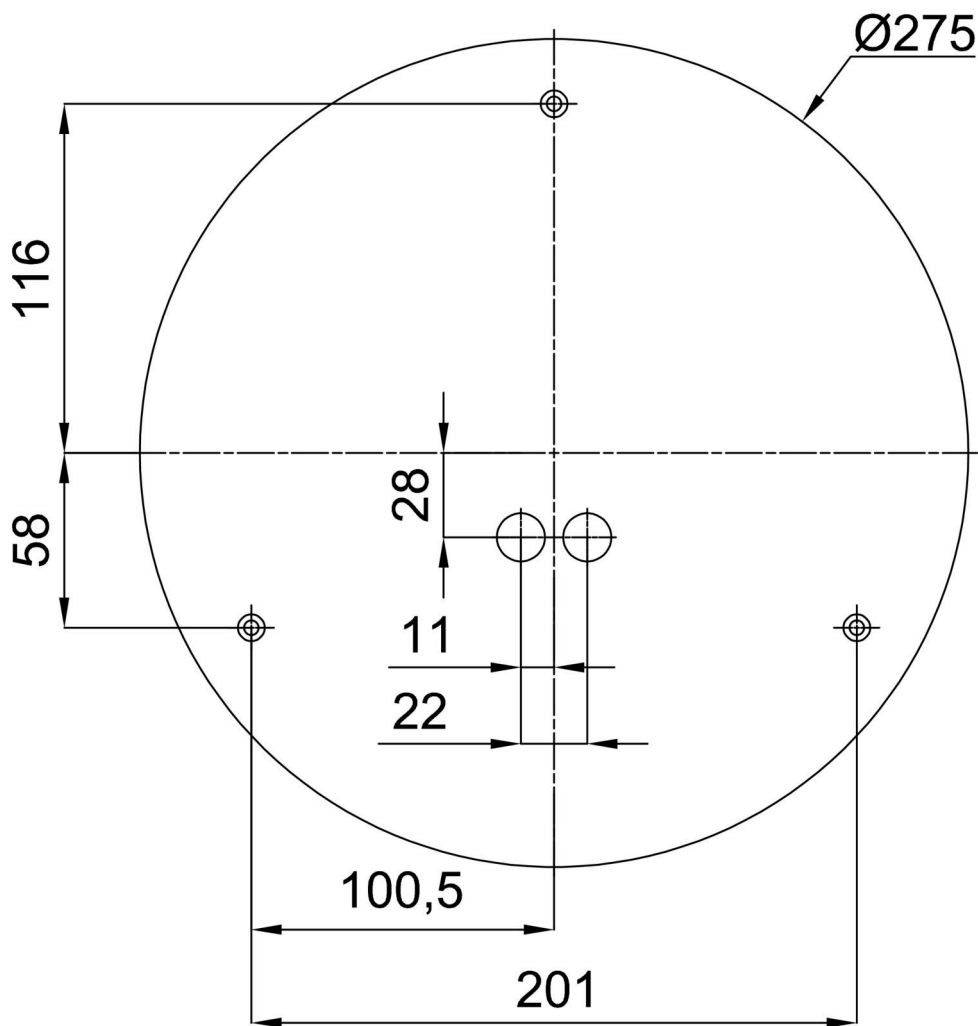
Eulum data for calculation programs are available at www.osmont.cz.

Logistic

EAN	8591728080860
Weight NTTO	1.6 Kg
Weight BTTO	1.9 Kg
Warranty*	60 months

*The warranty for the batteries is valid for 12 months from the date of purchase.

Installation dimensions:



Additional assortment:

Base for surface mounting

Product code	Name	Color	Description	Picture	Drawing
33501	KN6,K6/BP	white Ra19003			

Lampshade

Product code	Name	Color	Description	Picture	Drawing
20632	FOP1B	white		