



JENA 2

LED-2L27E350U9/038/NK1W 3K#

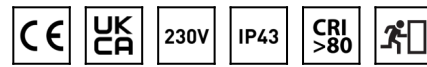
WWW.OSMONT.CZ

JENA 2

Product code: JEN58753

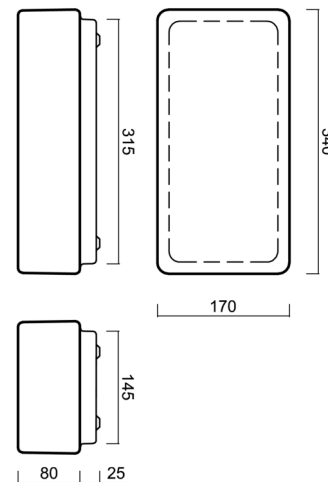
Type: LED-2L27E350U9/038/NK1W 3K#

Short description of the luminaire: White surface-mounted LED light with emergency unit combined with TRIPLEX OPAL glass shade



Technical

Types of luminaires	Emergency combined
Mounting type	surface mounted
Base material	steel
Shade material	three-layer glass TRIPLEX OPAL
Base color	white Ral9003
Shade color	white
Holding the shade	folding system
Mounting location	ceiling/wall
Width	340 mm
Length	170 mm
Height	105 mm
mounting holes (diameter)	4xØ5mm
Installation wire (diameter)	2xØ16mm
Energy Class	D
Impact strength	IK01
Operating temperature	from 0°C to +30°C

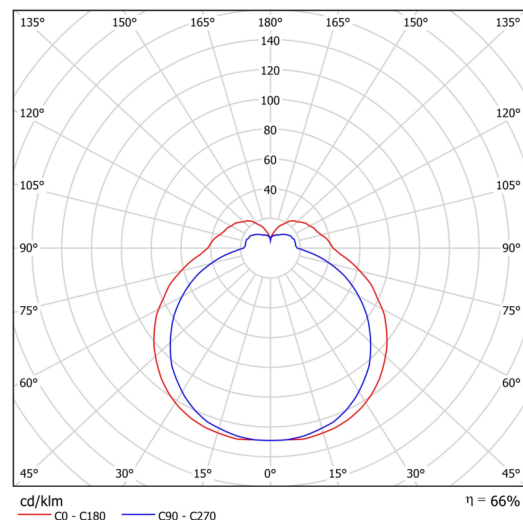


Electric

Power consumption	16 W
Ingress Protection	IP43
Socket	LED modul
Battery type	NiCd
Emergency time	3 hours
terminal block	snap terminal block
Automatic circuit breaker type B10A	40 pcs
Automatic circuit breaker type B16A	61 pcs
Automatic circuit breaker type C10A	51 pcs
Automatic circuit breaker type C16A	80 pcs

Luminous

Lum. flux of luminaire	1580 lm
Lum. flux of light source	2400 lm
Lum. flux of light source in emergency mode	150 lm
Luminaire efficacy	98 lm/W
Temperature	3000 K
Rated life time LED L80/B10	100000 hours
CRI	Ra80
MacAdam	3
Blue light hazard	Risk group 0



TECHNICAL SHEET



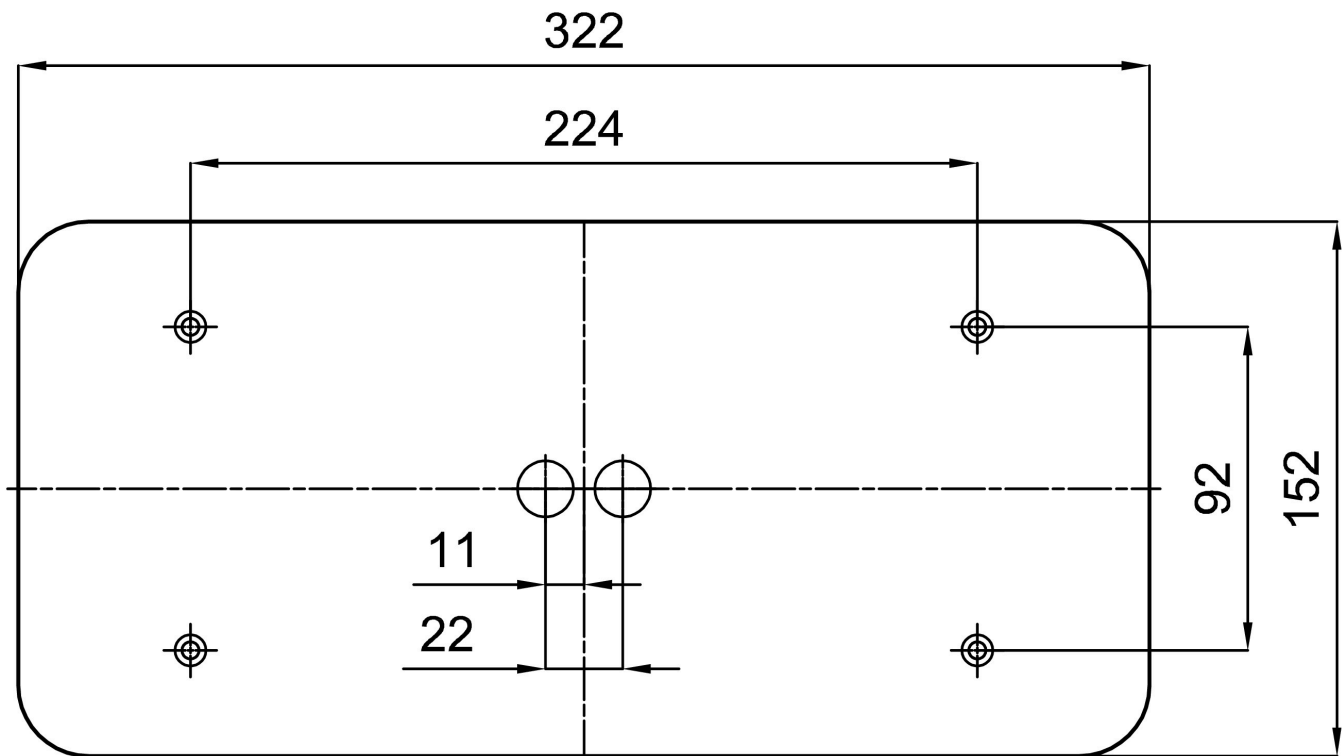
Eulum data for calculation programs are available at www.osmont.cz.

Logistic

EAN	8591728138448
Weight NTTO	2.8 Kg
Weight BTTO	3 Kg
Number of cartons	1 pcs
Package volume	0.007 m ³
Package 1 width	0.365 m
Package 1 length	0.18 m
Package 1 height	0.11 m
Warranty*	60 months

*The warranty for the batteries is valid for 12 months from the date of purchase.

Installation dimensions:



Additional assortment:

Lampshade

Product code	Name	Color	Description	Picture	Drawing
20018	038	white		