



ISIS S5 PM-M

ZS11/3/PM5M/L100 MS**

WWW.OSMONT.CZ

ISIS S5 PM-M

Product code: ISI40067

Type: ZS11/3/PM5M/L100 MS**

Short description of the luminaire: Brass polished finish | pendant E27 light | ON/OFF | PMMA matt shade



Technical

Types of luminaires	Classic on/off
Mounting type	Suspended - cable
Base material	brass
Shade material	opal polymethyl methacrylate
Base color	polished brass
Shade color	white
Holding the shade	steel holder
Mounting location	ceiling
Width	600 mm
Length	600 mm
Height	600 mm
Diameter	ø 600 mm
Hinge length	1000 mm
mounting holes (diameter)	none
Installation wire (diameter)	none
Impact strength	IK06
Operating temperature	from -20°C to +30°C

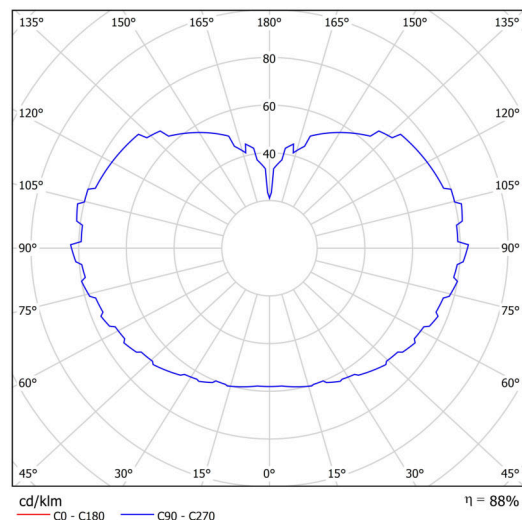
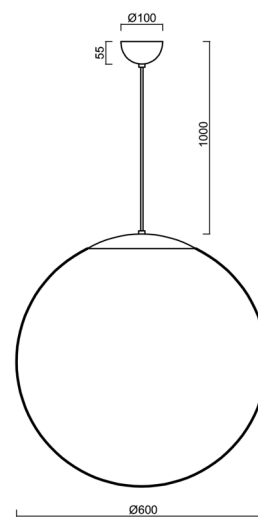
Electric

Power consumption	3x25 W
Ingress Protection	IP40
Socket	E27
terminal block	none

Luminous

Blue light hazard	Risk group 0
-------------------	--------------

Eulum data for calculation programs are available at www.osmont.cz.

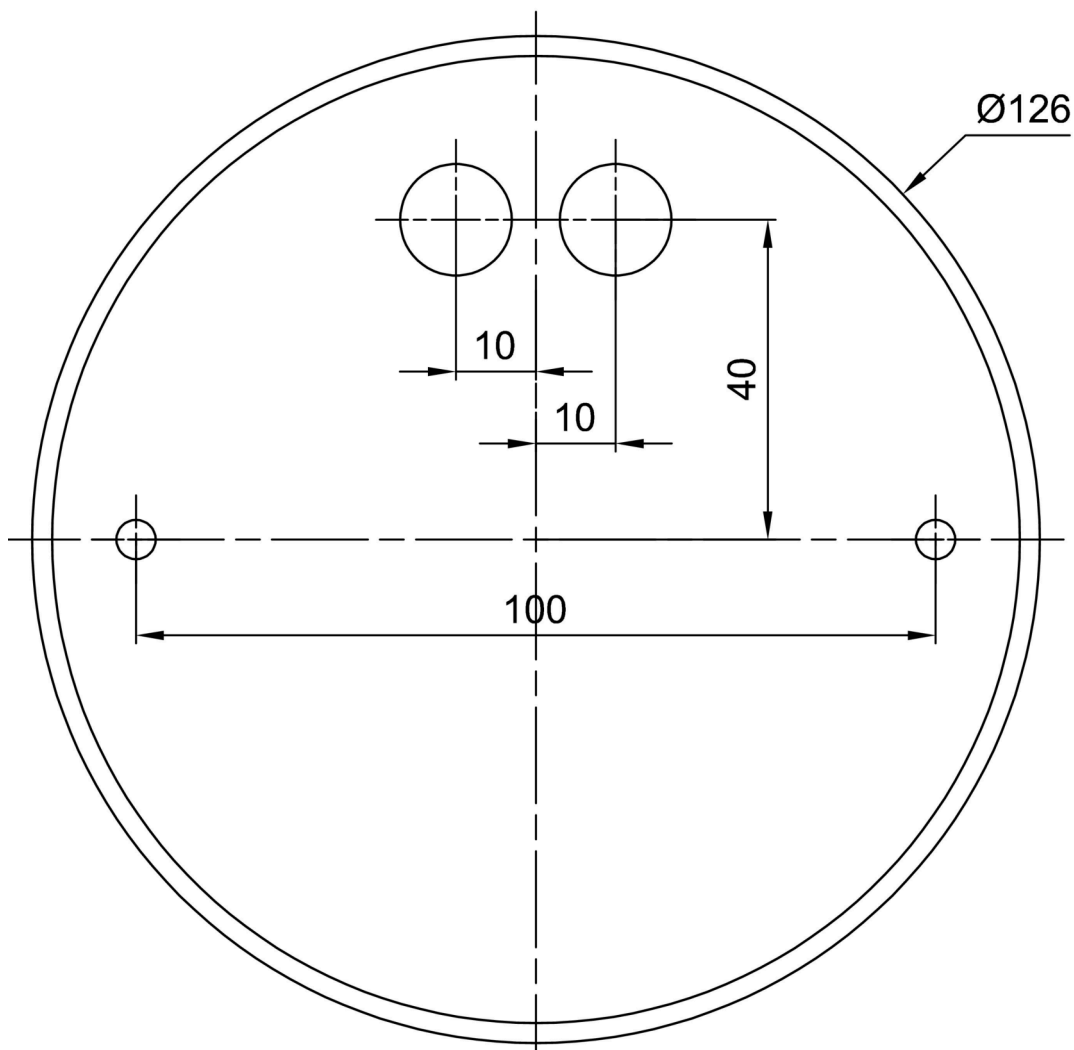


Logistic

EAN	8591728011796
Weight NTTO	4 Kg
Weight BTTO	6.41 Kg
Number of cartons	2 pcs
Package volume	0.256 m ³
Package 1 width	0.62 m
Package 1 length	0.62 m
Package 1 height	0.63 m
Warranty*	60 months

*The warranty for the batteries is valid for 12 months from the date of purchase.

Installation dimensions:



Additional assortment:

Lampshade

Product code	Name	Color	Description	Picture	Drawing
20667	PM5-M	white		