



## ISIS S2 PM

---

ZS11/PM2/L100 NB\*

[WWW.OSMONT.CZ](http://WWW.OSMONT.CZ)

# ISIS S2 PM

Product code: ISI63309

Type: ZS11/PM2/L100 NB\*

Short description of the luminaire: Stainless brushed pendant E27 light ON/OFF and PMMA shade.



## Technical

Types of luminaires	Classic on/off
Mounting type	Suspended - cable
Base material	stainless steel steel
Shade material	glossy polymethyl methacrylate
Base color	brushed stainless steel
Shade color	white
Holding the shade	steel holder
Mounting location	ceiling
Width	300 mm
Length	300 mm
Height	300 mm
Diameter	ø 300 mm
Hinge length	1000 mm
mounting holes (diameter)	none
Installation wire (diameter)	none
Impact strength	IK06
Operating temperature	from -20°C to +30°C

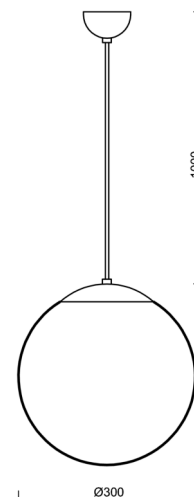
## Electric

Voltage type	AC
AC voltage	220 - 240 V
Power consumption	25 W
Ingress Protection	IP40
Socket	E27
terminal block	none

## Luminous

Blue light hazard	Risk group 0
-------------------	--------------

Eulum data for calculation programs are available at [www.osmont.cz](http://www.osmont.cz).

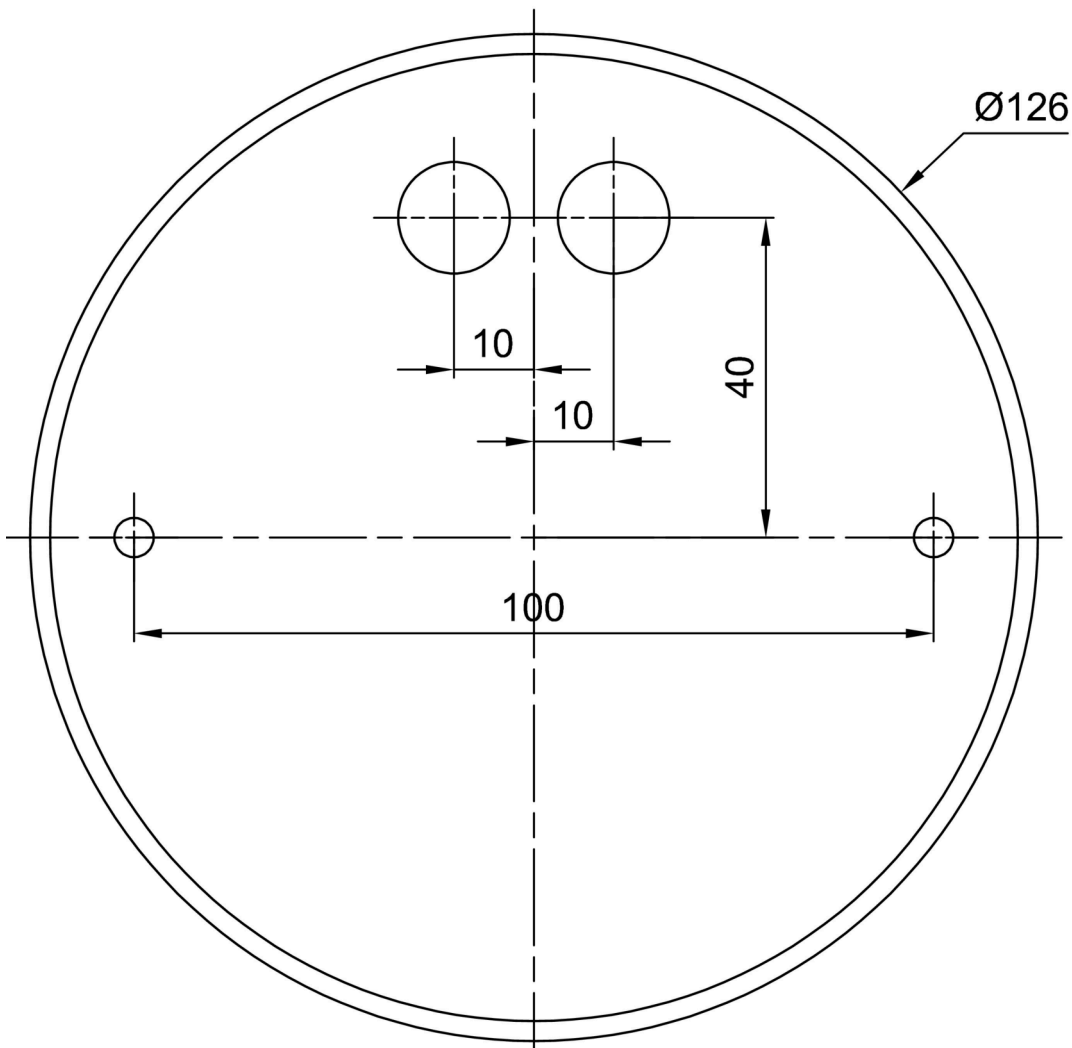


Logistic

EAN	8591728633097
Weight NTTO	1.4 Kg
Weight BTTO	1.9 Kg
Number of cartons	2 pcs
Package volume	0.035 m <sup>3</sup>
Package 1 width	0.31 m
Package 1 length	0.31 m
Package 1 height	0.31 m
Warranty*	60 months

\*The warranty for the batteries is valid for 12 months from the date of purchase.

Installation dimensions:



## Additional assortment:

## Lampshade

Product code	Name	Color	Description	Picture	Drawing
20599	PM2	white		