



## ISIS P4 PM-M HP

LED-5L08E950Z11/PM4M/a3 NK3HST C 4K##

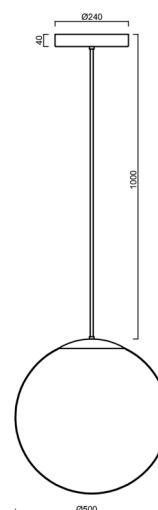
[WWW.OSMONT.CZ](http://WWW.OSMONT.CZ)

# ISIS P4 PM-M HP

Product code: ISI61502

Type: LED-5L08E950Z11/PM4M/a3 NK3HST C 4K##

Short description of the luminaire: Black colour | pendant high-power LED light with emergency backup combined ( with Self-test) | matt PMMA shade| rod pendant 60 cm |



## Technical

|                           |                              |
|---------------------------|------------------------------|
| Types of luminaires       | Emergency combined SELFTEST  |
| Mounting type             | Suspended - rod              |
| Base material             | steel                        |
| Shade material            | opal polymethyl methacrylate |
| Base color                | black Ral9005                |
| Shade color               | white                        |
| Holding the shade         | steel holder                 |
| Mounting location         | ceiling                      |
| Width                     | 500 mm                       |
| Length                    | 500 mm                       |
| Height                    | 500 mm                       |
| Hinge length              | 600 mm                       |
| mounting holes (diameter) | 3xØ5mm                       |
| Cable entrance            | 2xØ16mm                      |
| Energy Class              | D                            |
| Impact strength           | IK06                         |
| Operating temperature     | from -20°C to +30°C          |

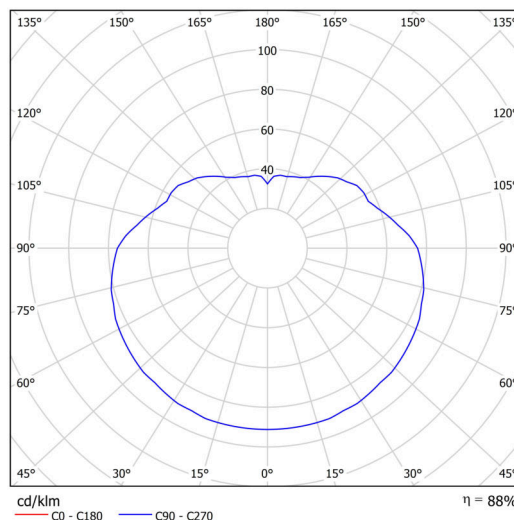
## Electric

|                    |                     |
|--------------------|---------------------|
| Power consumption  | 59 W                |
| Ingress Protection | IP40                |
| Socket             | LED modul           |
| Battery type       | LiFePO4             |
| Emergency time     | 3 hours             |
| SELFTEST           | yes                 |
| terminal block     | snap terminal block |

## Luminous

|   |              |
|---|--------------|
| Lum. flux of luminaire                      | 8450 lm      |
| Lum. flux of light source                   | 9600 lm      |
| Lum. flux of light source in emergency mode | 200 lm       |
| Temperature                                 | 4000 K       |
| Rated life time LED L80/B10                 | 100000 hours |
| CRI   | Ra80         |
| MacAdam                                     | 3            |
| Blue light hazard                           | Risk group 0 |

Eulum data for calculation programs are available at [www.osmont.cz](http://www.osmont.cz).

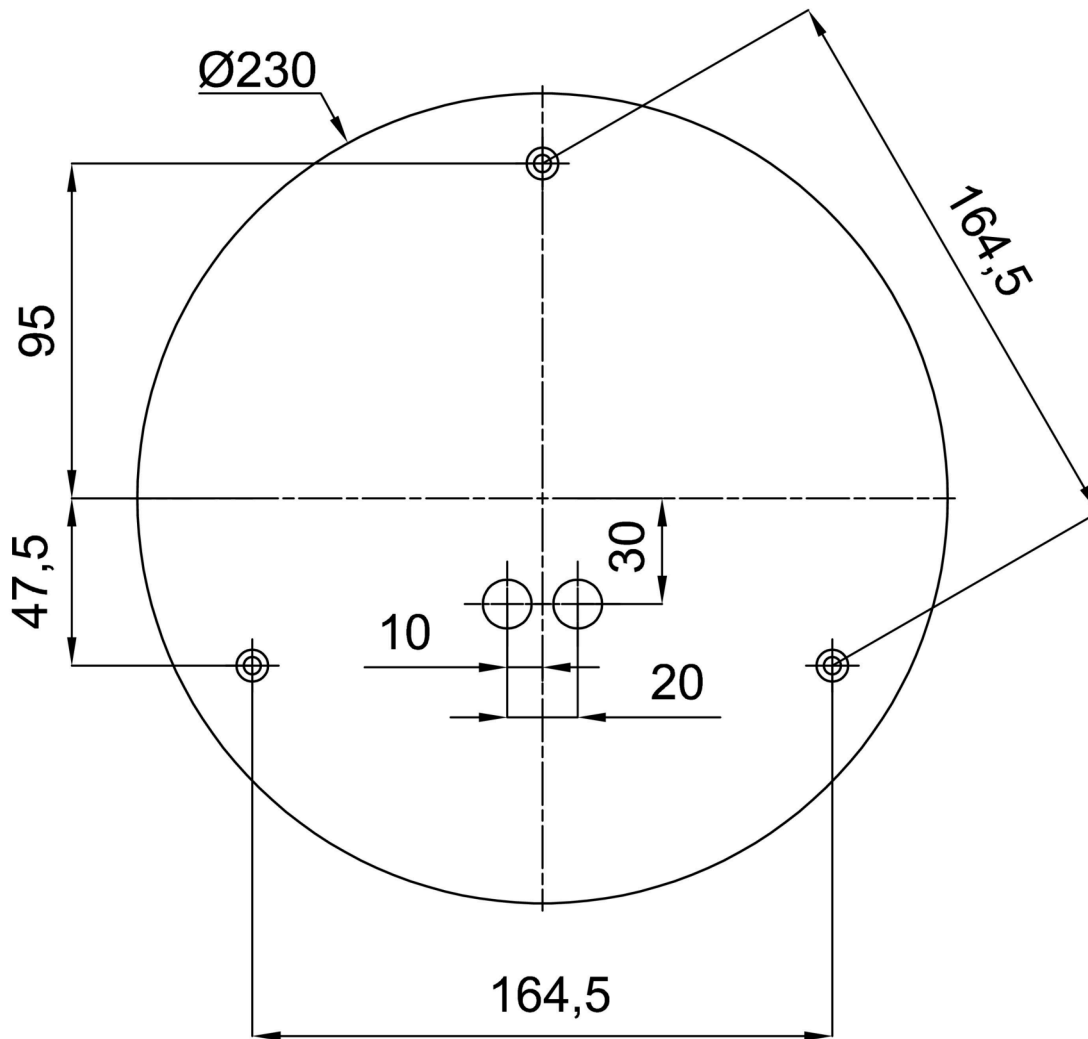


Logistic

|                   |                      |
|-------------------|----------------------|
| EAN               | 8591728156664        |
| Weight NTTO       | 4.4 Kg               |
| Weight BTTO       | 6.3 Kg               |
| Number of cartons | 2 pcs                |
| Package volume    | 0.171 m <sup>3</sup> |
| Package 1 width   | 0.52 m               |
| Package 1 length  | 0.52 m               |
| Package 1 height  | 0.53 m               |
| Warranty*         | 60 months            |


\*The warranty for the batteries is valid for 12 months from the date of purchase.

Installation dimensions:



## Additional assortment:

## Lampshade

| Product code | Name  | Color | Description   | Picture   | Drawing |
|--------------|-------|-------|---------------|---|---------|
| 20604        | PM4-M | white | příslušenství |  |         |