



## ISIS P4 PE HP

---

LED-5L08E950Z11/PE4/a1 NB 3K##

[WWW.OSMONT.CZ](http://WWW.OSMONT.CZ)

# ISIS P4 PE HP

Product code: IS162490

Type: LED-5L08E950Z11/PE4/a1 NB 3K##

Short description of the luminaire: Stainless steel brushed | pendant high-power LED light ON/OFF | polyethylene shadel rod pendant 20 cm |

## Technical

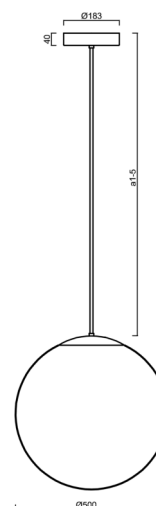
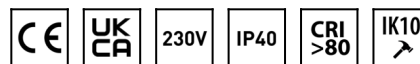
Types of luminaires	Classic on/off
Mounting type	Suspended - rod
Base material	stainless steel steel
Shade material	polyethylene
Base color	brushed stainless steel
Shade color	white
Holding the shade	folding system
Mounting location	ceiling
Width	500 mm
Length	500 mm
Height	500 mm
Diameter	ø 500 mm
Hinge length	200 mm
mounting holes (diameter)	3xø5mm
Cable entrance	2xø16mm
Energy Class	D
Impact strength	IK10
Operating temperature	from -20°C to +30°C

## Electric

Power consumption	59 W
Ingress Protection	IP40
Socket	LED modul
terminal block	snap terminal block
Automatic circuit breaker type B10A	15 pcs
Automatic circuit breaker type B16A	25 pcs
Automatic circuit breaker type C10A	26 pcs
Automatic circuit breaker type C16A	42 pcs

## Luminous

Lum. flux of luminaire	8100 lm
Lum. flux of light source	9200 lm
Luminaire efficacy	137 lm/W
Temperature	3000 K
Rated life time LED L80/B10	100000 hours
CRI	Ra80
MacAdam	3
Blue light hazard	Risk group 0



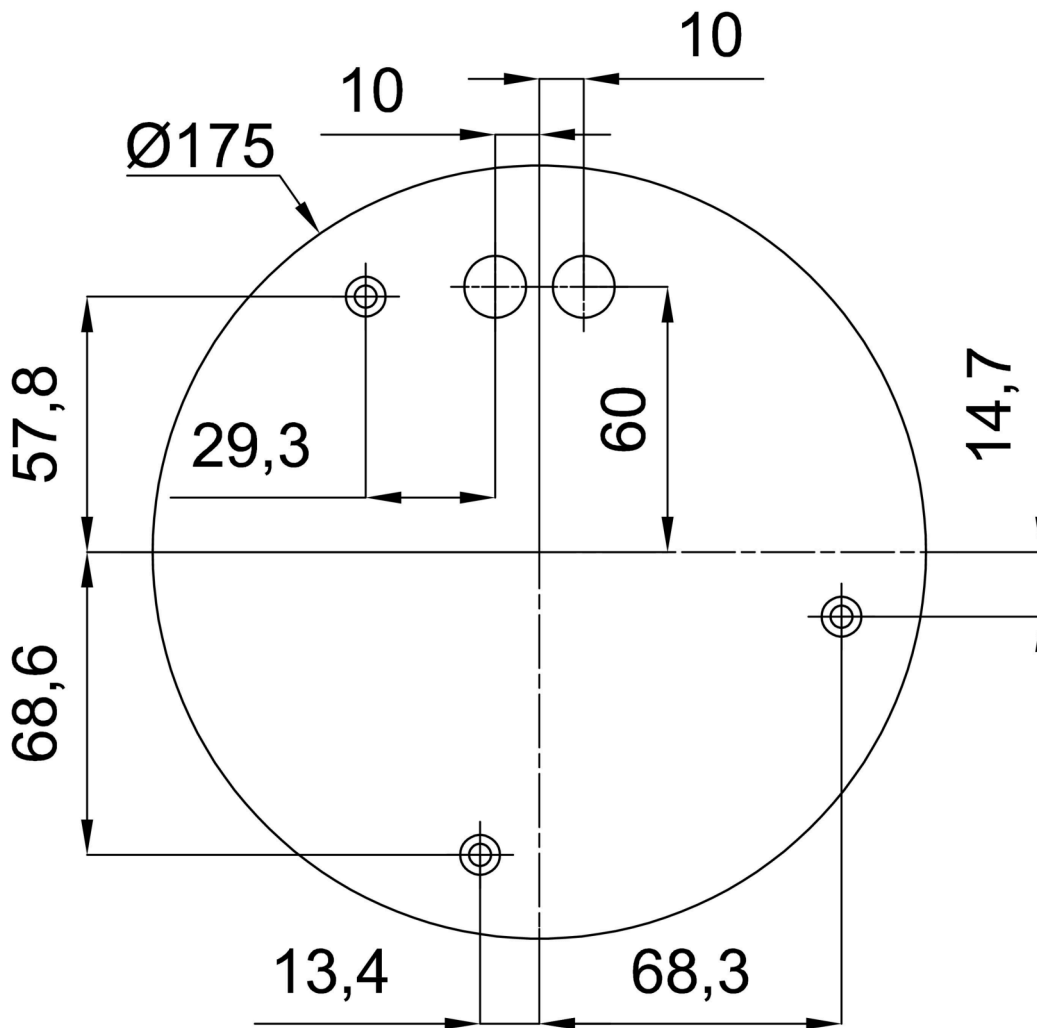
Eulum data for calculation programs are available at [www.osmont.cz](http://www.osmont.cz).

Logistic

EAN	8591728019303
Weight NTTO	4.4 Kg
Weight BTTO	6.3 Kg
Number of cartons	2 pcs
Package volume	0.157 m <sup>3</sup>
Package 1 width	0.52 m
Package 1 length	0.52 m
Package 1 height	0.53 m
Warranty*	60 months

\*The warranty for the batteries is valid for 12 months from the date of purchase.

Installation dimensions:



## Additional assortment:

## Lampshade

Product code	Name	Color	Description	Picture	Drawing
20531	PE4	white	příslušenství		