



## ISIS L5 PM HP

LED-5L08E1050ZL11/PM5/L100 B DALI 3K##

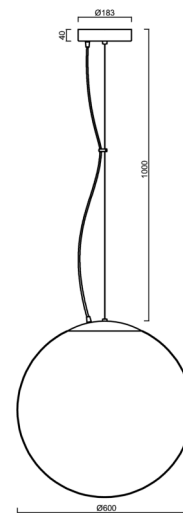
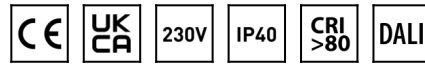
[WWW.OSMONT.CZ](http://WWW.OSMONT.CZ)

# ISIS L5 PM HP

Product code: ISI60111

Type: LED-5L08E1050ZL11/PM5/L100 B DALI 3K##

Short description of the luminaire: White colour | pendant high-power LED light DALI | PMMA shade | steel wire pendant (with supply cable) 100 cm |



## Technical

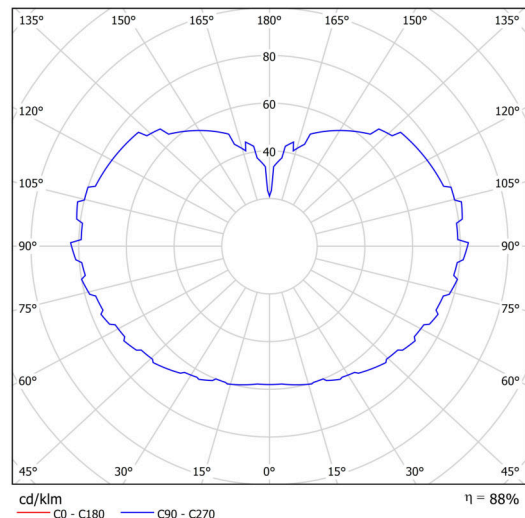
Types of luminaires	Dimmable
Mounting type	Suspended - wire
Base material	steel
Shade material	glossy polymethyl methacrylate
Base color	white Ral9003
Shade color	white
Holding the shade	steel holder
Mounting location	ceiling
Width	600 mm
Length	600 mm
Height	600 mm
Diameter	Ø 600 mm
Hinge length	1000 mm
mounting holes (diameter)	3xØ5mm
Cable entrance	2xØ16mm
Energy Class	D
Impact strength	IK06
Operating temperature	from -20°C to +30°C

## Electric

Power consumption	65 W
Ingress Protection	IP40
Socket	LED modul
terminal block	snap terminal block
Automatic circuit breaker type B10A	15 pcs
Automatic circuit breaker type B16A	25 pcs
Automatic circuit breaker type C10A	26 pcs
Automatic circuit breaker type C16A	42 pcs

## Luminous

Lum. flux of luminaire	8890 lm
Lum. flux of light source	10100 lm
Luminaire efficacy	136 lm/W
Temperature	3000 K
Rated life time LED L80/B10	100000 hours
CRI	Ra80
MacAdam	3
Blue light hazard	Risk group 0



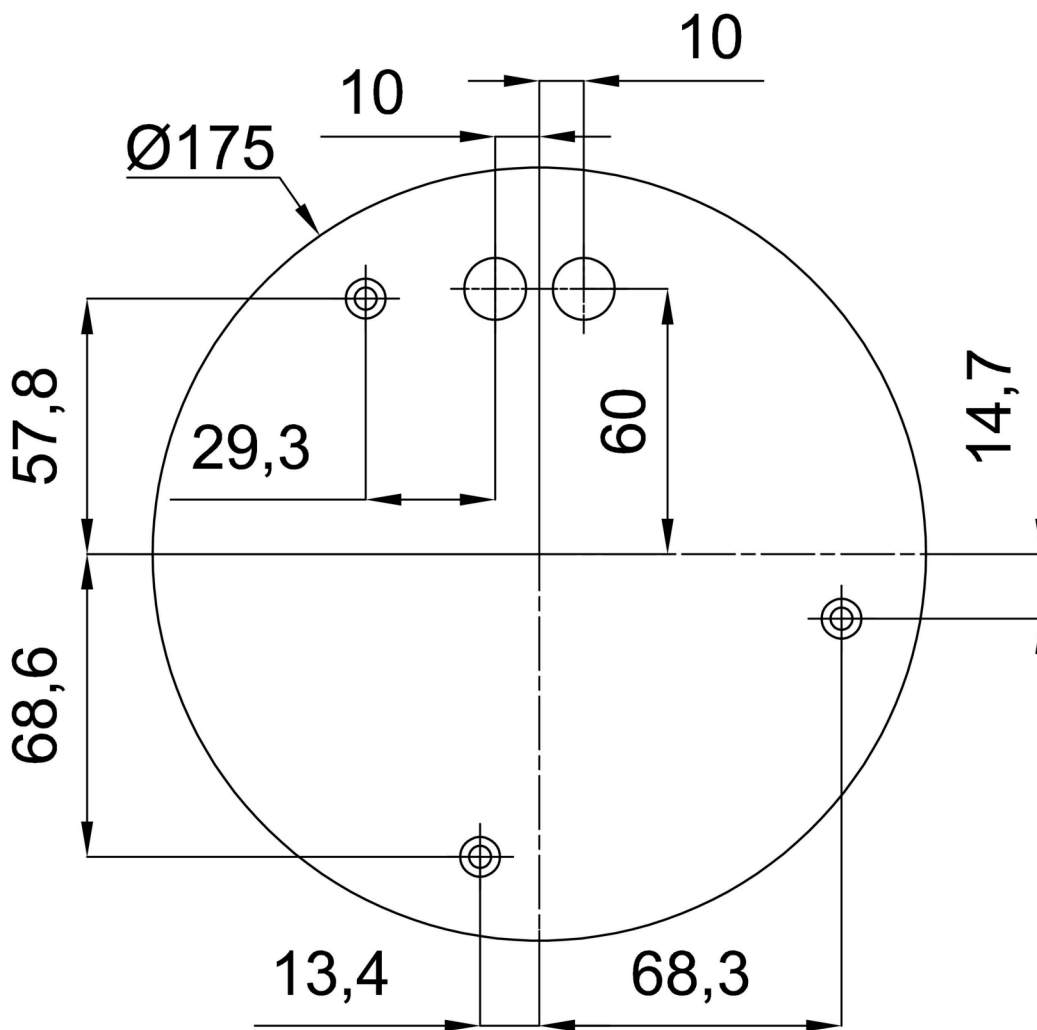
Eulum data for calculation programs are available at [www.osmont.cz](http://www.osmont.cz).

Logistic

EAN	8591728012939
Weight NTTO	6 Kg
Weight BTTO	8.41 Kg
Number of cartons	2 pcs
Package volume	0.256 m <sup>3</sup>
Package 1 width	0.62 m
Package 1 length	0.62 m
Package 1 height	0.63 m
Warranty*	60 months

\*The warranty for the batteries is valid for 12 months from the date of purchase.

Installation dimensions:



## Additional assortment:

## Lampshade

Product code	Name	Color	Description	Picture	Drawing
20666	PM5	white	příslušenství		