



## ISIS L3 PM-M

ZL11/PM3M/L100 B HF\*

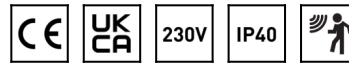
[WWW.OSMONT.CZ](http://WWW.OSMONT.CZ)

# ISIS L3 PM-M

Product code: ISI63670

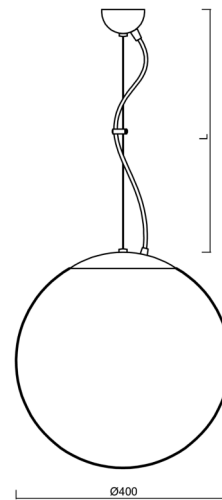
Type: ZL11/PM3M/L100 B HF\*

Short description of the luminaire: White color | pendant E27 light | microwave HF sensor | PMMA matt shade



## Technical

|                              |                              |
|------------------------------|------------------------------|
| Types of luminaires          | Sensor                       |
| Mounting type                | Suspended - wire             |
| Base material                | steel                        |
| Shade material               | opal polymethyl methacrylate |
| Base color                   | white Ral9003                |
| Shade color                  | white                        |
| Holding the shade            | steel holder                 |
| Mounting location            | ceiling                      |
| Width                        | 400 mm                       |
| Length                       | 400 mm                       |
| Height                       | 400 mm                       |
| Diameter                     | ø 400 mm                     |
| Hinge length                 | 1000 mm                      |
| mounting holes (diameter)    | none                         |
| Installation wire (diameter) | none                         |
| Impact strength              | IK06                         |
| Operating temperature        | from -20°C to +30°C          |



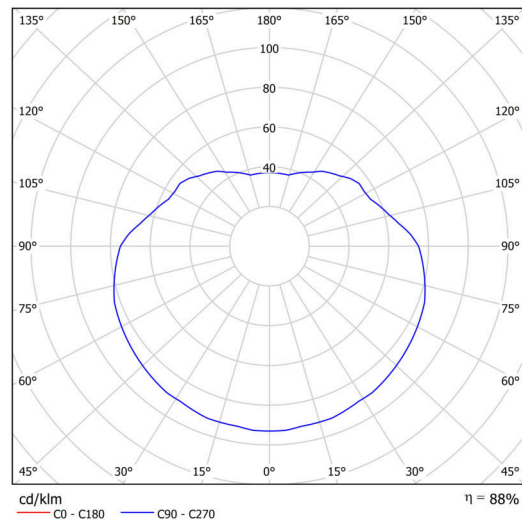
## Electric

|                    |      |
|--------------------|------|
| Power consumption  | 40 W |
| Ingress Protection | IP40 |
| Socket             | E27  |
| Sensor             | HF   |
| terminal block     | none |

## Luminous

|                   |              |
|-------------------|--------------|
| Blue light hazard | Risk group 0 |
|-------------------|--------------|

Eulum data for calculation programs are available at [www.osmont.cz](http://www.osmont.cz).

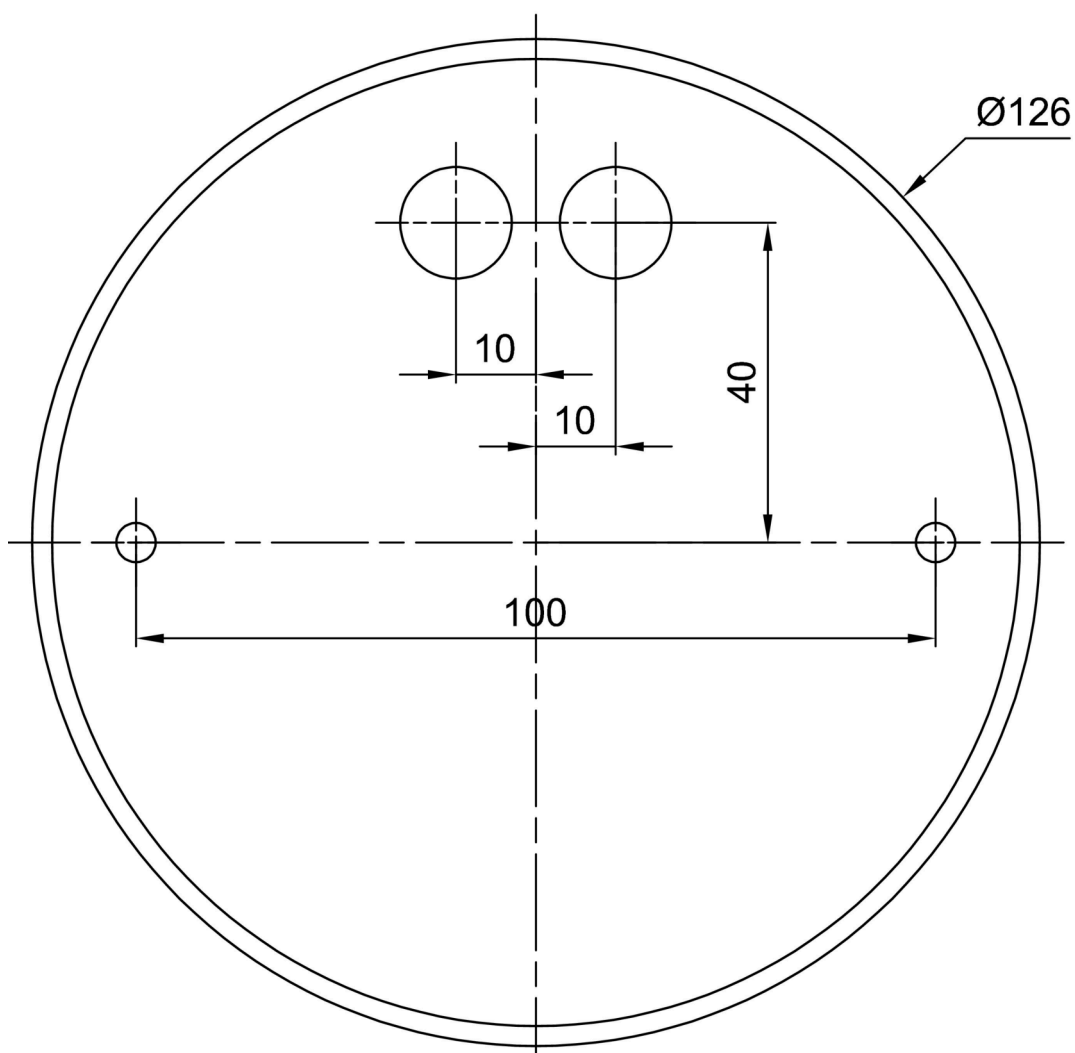


Logistic

|                   |                      |
|-------------------|----------------------|
| EAN               | 8591728024307        |
| Weight NTTO       | 2 Kg                 |
| Weight BTTO       | 2.5 Kg               |
| Number of cartons | 2 pcs                |
| Package volume    | 0.072 m <sup>3</sup> |
| Package 1 width   | 0.405 m              |
| Package 1 length  | 0.405 m              |
| Package 1 height  | 0.41 m               |
| Warranty*         | 60 months            |


\*The warranty for the batteries is valid for 12 months from the date of purchase.

Installation dimensions:



Additional assortment:

## Lampshade

| Product code | Name  | Color | Description | Picture   | Drawing |
|--------------|-------|-------|-------------|---|---------|
| 20602        | PM3-M | white |             |  |         |