



ISIS L3 PM

ZL11/PM3/L100 NB HF*

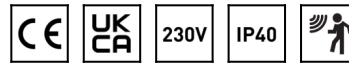
WWW.OSMONT.CZ

ISIS L3 PM

Product code: ISI63569

Type: ZL11/PM3/L100 NB HF*

Short description of the luminaire: Stainless brushed finish | pendant E27 light | microwave HF sensor | PMMA gloss shade



Technical

Types of luminaires	Sensor
Mounting type	Suspended - wire
Base material	stainless steel steel
Shade material	glossy polymethyl methacrylate
Base color	brushed stainless steel
Shade color	white
Holding the shade	steel holder
Mounting location	ceiling
Width	400 mm
Length	400 mm
Height	400 mm
Diameter	ø 400 mm
Hinge length	1000 mm
mounting holes (diameter)	none
Installation wire (diameter)	none
Impact strength	IK06
Operating temperature	from -20°C to +30°C

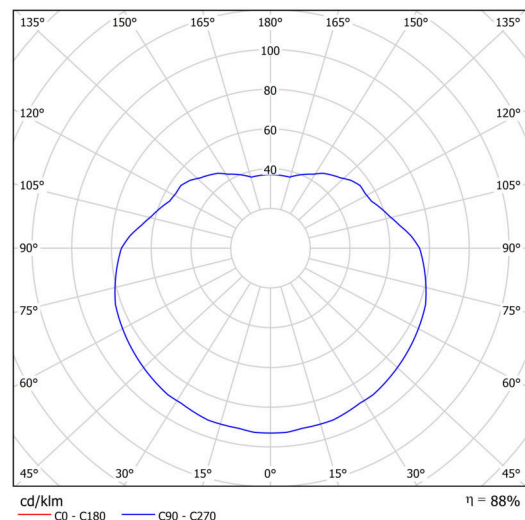
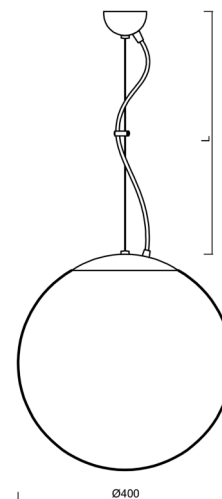
Electric

Power consumption	40 W
Ingress Protection	IP40
Socket	E27
Sensor	HF
terminal block	none

Luminous

Blue light hazard	Risk group 0
-------------------	--------------

Eulum data for calculation programs are available at www.osmont.cz.

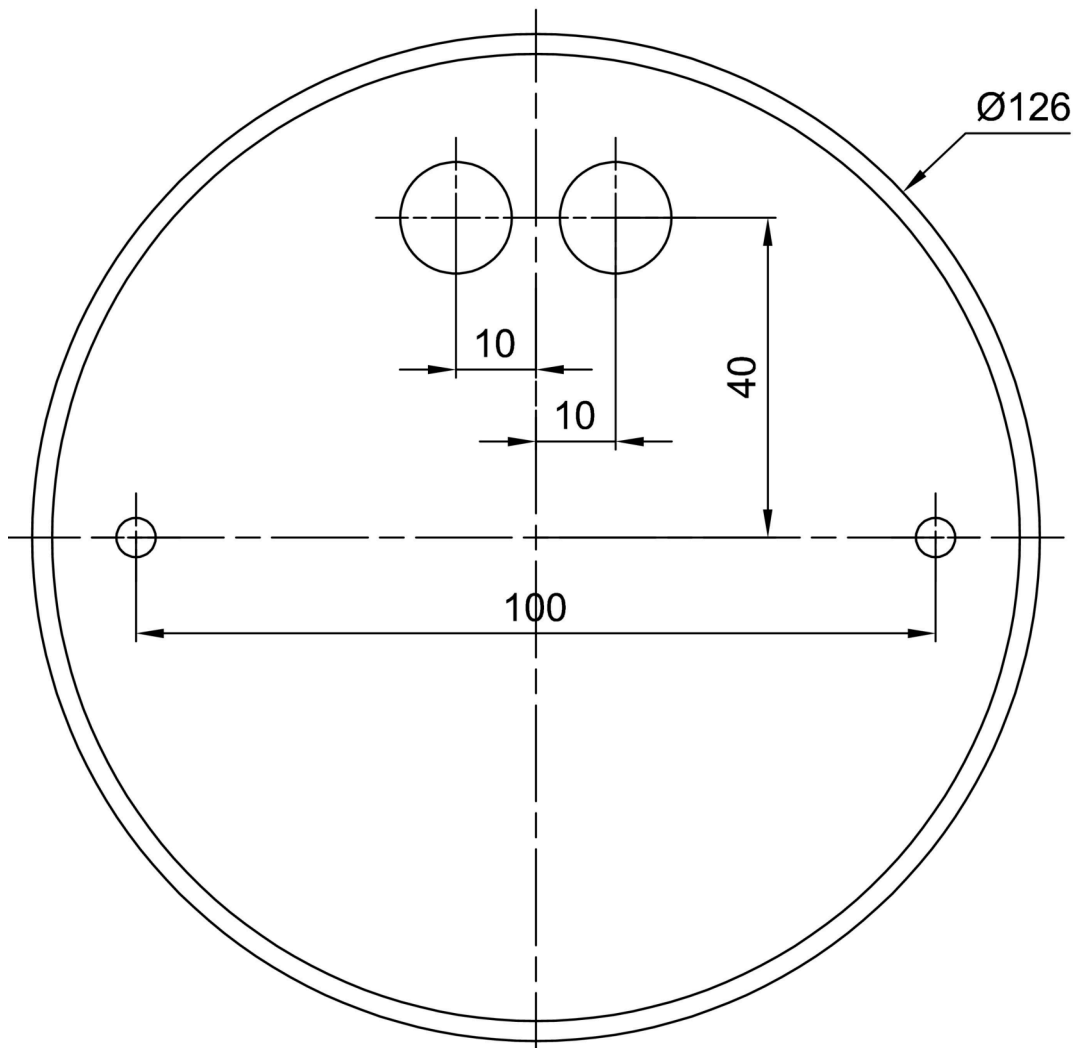


Logistic

EAN	8591728023294
Weight NTTO	2 Kg
Weight BTTO	2.5 Kg
Number of cartons	2 pcs
Package volume	0.072 m ³
Package 1 width	0.405 m
Package 1 length	0.405 m
Package 1 height	0.41 m
Warranty*	60 months

*The warranty for the batteries is valid for 12 months from the date of purchase.

Installation dimensions:



Additional assortment:

Lampshade

Product code	Name	Color	Description	Picture	Drawing
20601	PM3	white		