



IRIDA 3

LED-1L15E500BD14/PC64 HF CORR 3K#

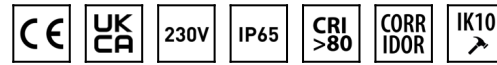
WWW.OSMONT.CZ

IRIDA 3

Product code: IRI72283

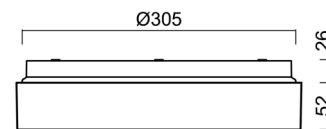
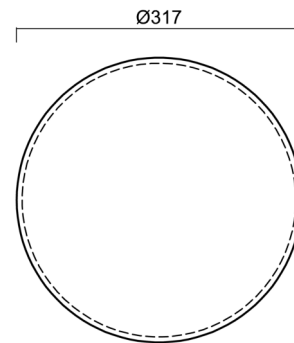
Type: LED-1L15E500BD14/PC64 HF CORR 3K#

Short description of the luminaire: White surface-mounted LED light with CORRIDOR function and polycarbonate shade



Technical

Types of luminaires	Corridor
Mounting type	surface mounted
Base material	polypropylene composite
Shade material	opal polycarbonate
Base color	white Ral9003
Shade color	white
Holding the shade	bayonet
Mounting location	ceiling/wall
Width	317 mm
Length	317 mm
Height	78 mm
Diameter	ø 317 mm
mounting holes (diameter)	3xø5mm
Installation wire (diameter)	2xø16mm
Energy Class	D
Impact strength	IK10
Operating temperature	from -20°C to +30°C

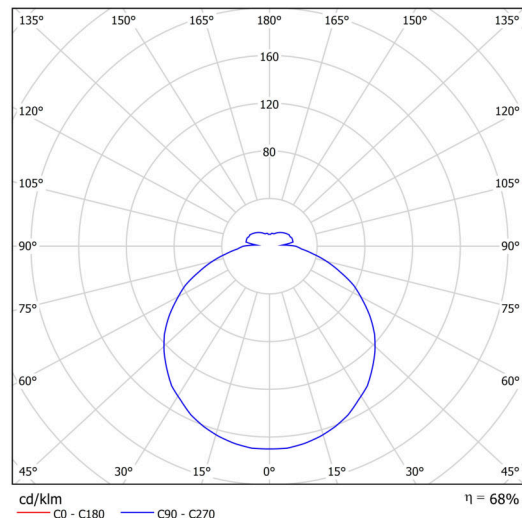


Electric

Power consumption	19 W
Ingress Protection	IP65
Socket	LED modul
Sensor	HF
terminal block	snap terminal block
Automatic circuit breaker type B10A	18 pcs
Automatic circuit breaker type B16A	32 pcs
Automatic circuit breaker type C10A	30 pcs
Automatic circuit breaker type C16A	53 pcs

Luminous

Lum. flux of luminaire	2040 lm
Lum. flux of light source	3000 lm
Luminaire efficacy	107 lm/W
Temperature	3000 K
Rated life time LED L80/B10	100000 hours
CRI	Ra80
MacAdam	3
Blue light hazard	Risk group 0



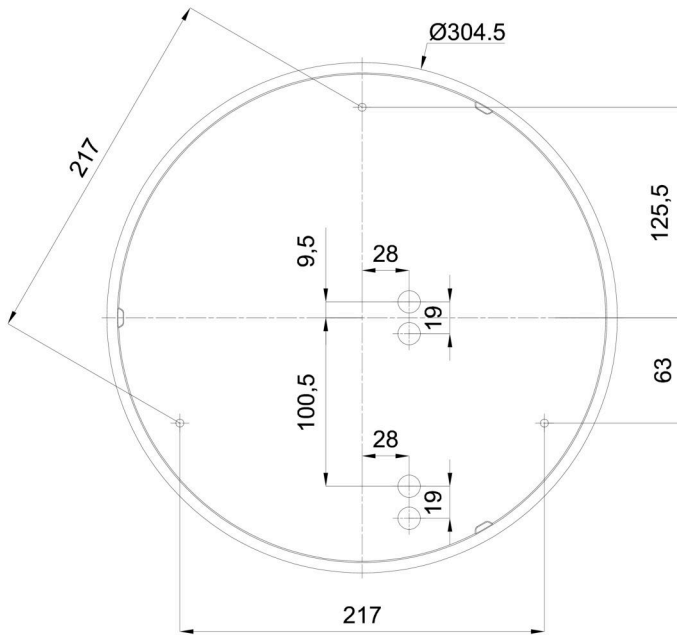
Eulum data for calculation programs are available at www.osmont.cz.

Logistic

EAN	8591728138264
Weight NTTO	0.69 Kg
Weight BTTO	0.89 Kg
Number of cartons	1 pcs
Package volume	0.012 m ³
Package 1 width	0.325 m
Package 1 length	0.325 m
Package 1 height	0.11 m
Warranty*	60 months

*The warranty for the batteries is valid for 12 months from the date of purchase.

Installation dimensions:



Additional assortment:

Lampshade

Product code	Name	Color	Description	Picture	Drawing
20612	PC64	white		