

## GIEDI 2

---

LED-2L25EMP700U12/PC28 DALI 3K##

[WWW.OSMONT.CZ](http://WWW.OSMONT.CZ)

# GIEDI 2

Product code: GIE60001

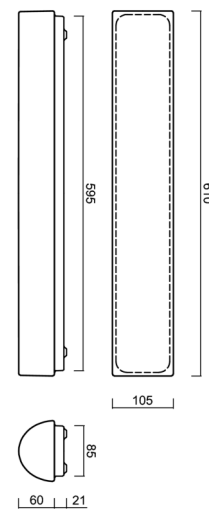
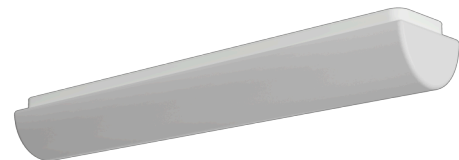
Type: LED-2L25EMP700U12/PC28 DALI 3K##

Short description of the luminaire: White color | surface-mounted LED light | dimmable DALI | polycarbonate shade



## Technical

Types of luminaires	Dimmable
Mounting type	surface mounted
Base material	steel
Shade material	opal polycarbonate
Base color	white Ral9003
Shade color	white
Holding the shade	folding system
Mounting location	ceiling/wall
Width	610 mm
Length	105 mm
Height	81 mm
mounting holes (diameter)	2xØ5mm
Installation wire (diameter)	2xØ16mm
Energy Class	D
Impact strength	IK10
Operating temperature	from -20°C to +30°C

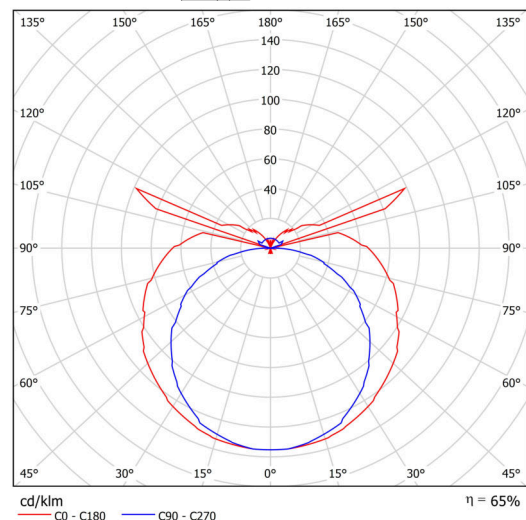


## Electric

Power consumption	18 W
Coverage class	2
Ingress Protection	IP44
Socket	LED modul
terminal block	snap terminal block
Automatic circuit breaker type B10A	31 pcs
Automatic circuit breaker type B16A	50 pcs
Automatic circuit breaker type C10A	52 pcs
Automatic circuit breaker type C16A	85 pcs

## Luminous

Lum. flux of luminaire	1860 lm
Lum. flux of light source	2690 lm
Luminaire efficacy	103 lm/W
Temperature	3000 K
Rated life time LED L80/B10	100000 hours
CRI	Ra80
MacAdam	3
Blue light hazard	Risk group 0



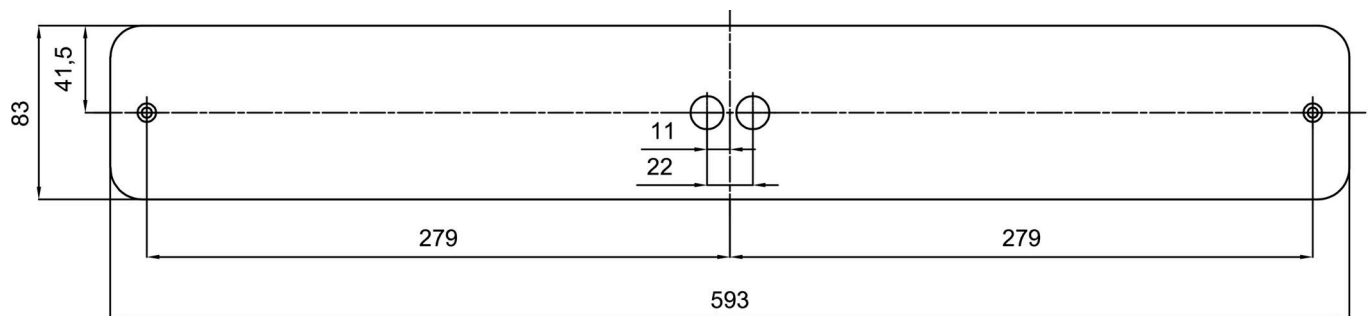
Eulum data for calculation programs are available at [www.osmont.cz](http://www.osmont.cz).

Logistic

EAN	8591728085926
Weight NTTO	2.3 Kg
Weight BTTO	2.8 Kg
Number of cartons	1 pcs
Package volume	0.007 m <sup>3</sup>
Package 1 width	0.655 m
Package 1 length	0.125 m
Package 1 height	0.085 m
Warranty*	60 months

*\*The warranty for the batteries is valid for 12 months from the date of purchase.*

Installation dimensions:



## Additional assortment:

## Lampshade

Product code	Name	Color	Description	Picture	Drawing
20652	PC28	white		