

GIEDI 2

IN-32U12/PC28**

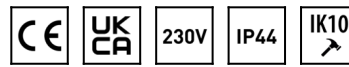
WWW.OSMONT.CZ

GIEDI 2

Product code: GIE40000

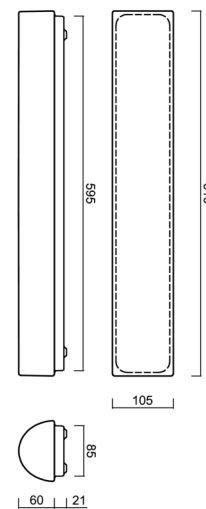
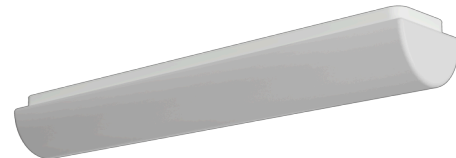
Type: IN-32U12/PC28**

Short description of the luminaire: White color | surface-mounted E27 light | ON/OFF | polycarbonate shade



Technical

Types of luminaires	Classic on/off
Mounting type	surface mounted
Base material	steel
Shade material	opal polycarbonate
Base color	white Ral9003
Shade color	white
Holding the shade	folding system
Mounting location	ceiling/wall
Width	610 mm
Length	105 mm
Height	81 mm
mounting holes (diameter)	2xØ5mm
Installation wire (diameter)	2xØ16mm
Impact strength	IK10
Operating temperature	from -20°C to +30°C



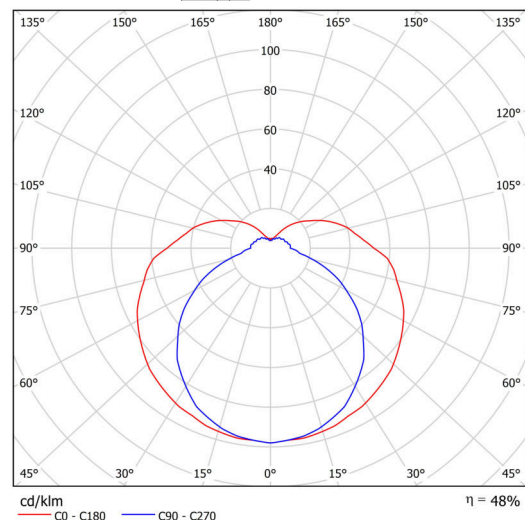
Electric

Power consumption	3x25 W
Ingress Protection	IP44
Socket	E27
terminal block	snap terminal block

Luminous

Blue light hazard	Risk group 0
-------------------	--------------

Eulum data for calculation programs are available at www.osmont.cz.

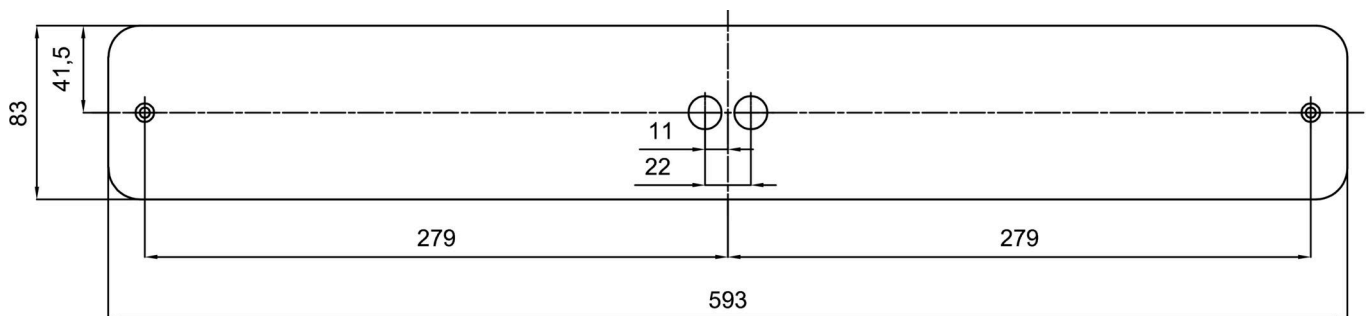


Logistic

EAN	8591728085902
Weight NTTO	2 Kg
Weight BTTO	2.2 Kg
Number of cartons	1 pcs
Package volume	0.007 m ³
Package 1 width	0.655 m
Package 1 length	0.125 m
Package 1 height	0.085 m
Warranty*	60 months

*The warranty for the batteries is valid for 12 months from the date of purchase.

Installation dimensions:



Additional assortment:

Lampshade

Product code	Name	Color	Description	Picture	Drawing
20652	PC28	white		