



## GEMINI 1

---

LED-1L47E700U47/207 NK3HST 3K#

[WWW.OSMONT.CZ](http://WWW.OSMONT.CZ)

# GEMINI 1

Product code: GEM48199

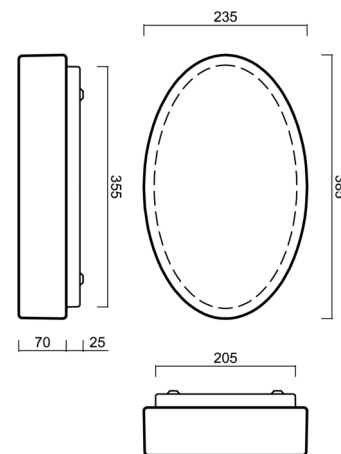
Type: LED-1L47E700U47/207 NK3HST 3K#

Short description of the luminaire: White colour | ceiling or wall LED light with emergency backup combined ( with Self-test) | TRIPLEX OPAL hand blown glass shade|



## Technical

Types of luminaires	Emergency combined SELFTEST
Mounting type	surface mounted
Base material	steel
Shade material	three-layer glass TRIPLEX OPAL
Base color	white Ra9003
Shade color	white
Holding the shade	folding system
Mounting location	ceiling/wall
Width	385 mm
Length	235 mm
Height	95 mm
mounting holes (diameter)	4xØ5mm
Cable entrance	2xØ16mm
Energy Class	D
Impact strength	IK01
Operating temperature	from -20°C to +30°C



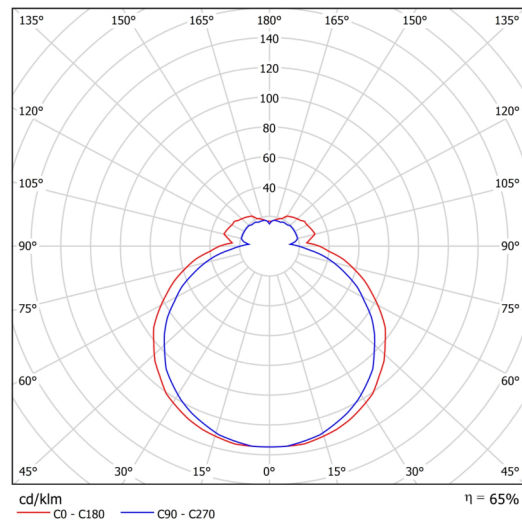
## Electric

Power consumption	18 W
Ingress Protection	IP43
Socket	LED modul
Battery type	LiFePO4
Emergency time	3 hours
SELFTEST	yes
terminal block	snap terminal block

## Luminous

Lum. flux of luminaire	1750 lm
Lum. flux of light source	2690 lm
Lum. flux of light source in emergency mode	200 lm
Temperature	3000 K
Rated life time LED L80/B10	100000 hours
CRI	Ra80
MacAdam	3
Blue light hazard	Risk group 0

Eulum data for calculation programs are available at [www.osmont.cz](http://www.osmont.cz).

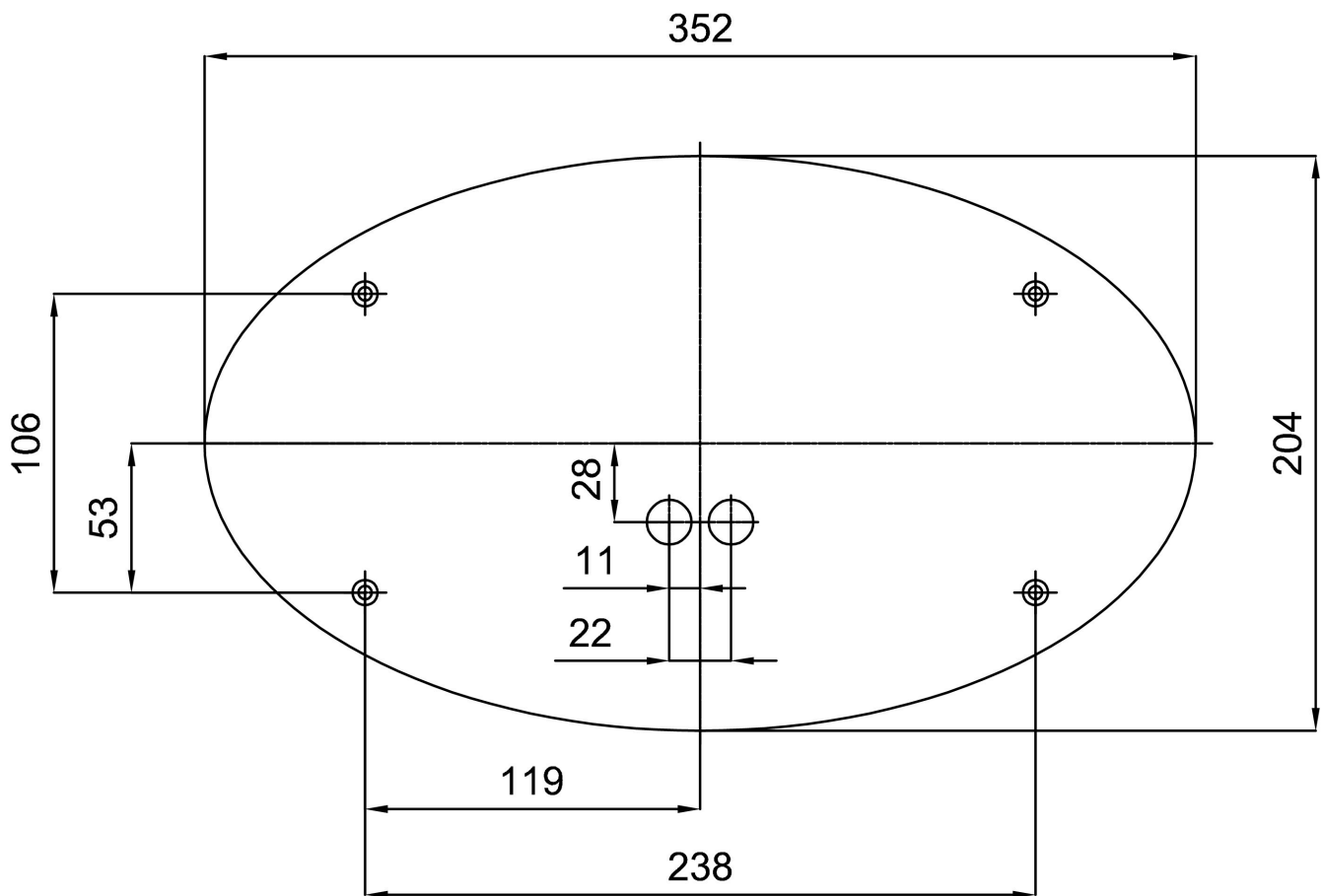


Logistic

EAN	8591728151485
Weight NTTO	2.9 Kg
Weight BTTO	3 Kg
Number of cartons	1 pcs
Package volume	0.01 m <sup>3</sup>
Package 1 width	0.395 m
Package 1 length	0.25 m
Package 1 height	0.1 m
Warranty*	60 months

\*The warranty for the batteries is valid for 12 months from the date of purchase.

Installation dimensions:



## Additional assortment:

## Lampshade

Product code	Name	Color	Description	Picture	Drawing
20107	207	white	příslušenství	