



## **GALAXIA L1**

---

12xLED-1L35E700USZ21/421/L200 3K

[WWW.OSMONT.CZ](http://WWW.OSMONT.CZ)

# GALAXIA L1

Product code: GAL61190

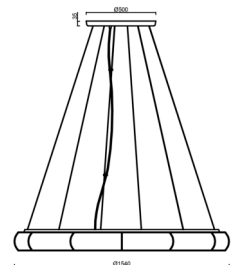
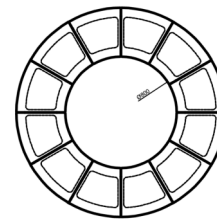
Type: 12xLED-1L35E700USZ21/421/L200 3K

Short description of the luminaire: White surface-mounted LED light ON/OFF with TRIPLEX OPAL glass shade.



## Technical

Types of luminaires	Classic on/off
Mounting type	Suspended - wire
Base material	steel
Shade material	three-layer glass TRIPLEX OPAL
Base color	white Ral9003
Shade color	white
Holding the shade	folding system
Mounting location	ceiling
Width	1540 mm
Length	1540 mm
Height	128 mm
Diameter	ø 1540 mm
Hinge length	2000 mm
mounting holes (diameter)	6xø5mm
Installation wire (diameter)	2xø16mm
Impact strength	IK01



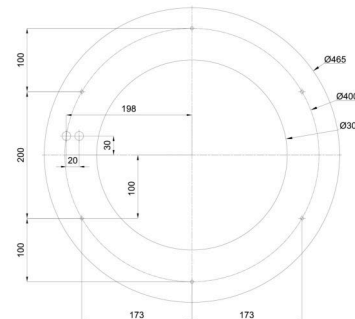
## Electric

Power consumption	228 W
Ingress Protection	IP40
Socket	LED modul
terminal block	snap terminal block

## Luminous

Lum. flux of luminaire	28080 lm
Lum. flux of light source	36960 lm
Temperature	3000 K
Rated life time LED L80/B10	100000 hours
CRI	Ra80
Blue light hazard	Risk group 0

Eulum data for calculation programs are available at [www.osmont.cz](http://www.osmont.cz).

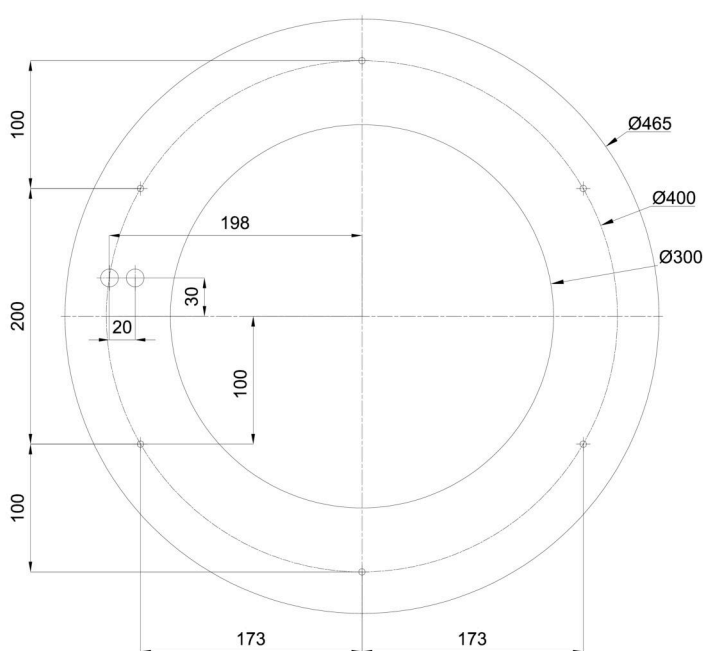


Logistic

EAN	8591728121334
Weight NTTO	55 Kg
Weight BTTO	80 Kg
Number of cartons	1 pcs
Warranty*	60 months

\*The warranty for the batteries is valid for 12 months from the date of purchase.

Installation dimensions:



Additional assortment:

## Lampshade

Product code	Name	Color	Description	Picture	Drawing
20073	421	white		