



FLORA 1

LED-1L26E700DU11/124 S 3K#

WWW.OSMONT.CZ

FLORA 1

Product code: FL067276

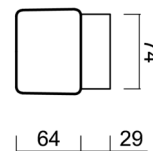
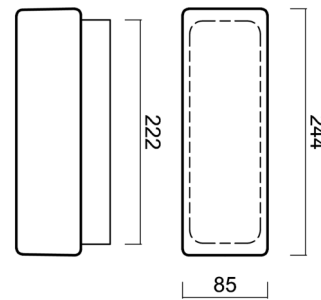
Type: LED-1L26E700DU11/124 S 3K#

Short description of the luminaire: Silver surface-mounted LED light ON/OFF with TRIPLEX OPAL glass shade.



Technical

Types of luminaires	Classic on/off
Mounting type	surface mounted
Base material	polycarbonate
Shade material	three-layer glass TRIPLEX OPAL
Base color	silver Ral9006
Shade color	white
Holding the shade	folding system
Mounting location	ceiling/wall
Width	225 mm
Length	85 mm
Height	93 mm
mounting holes (diameter)	4xØ5mm
Installation wire (diameter)	1xØ14mm
Energy Class	D
Impact strength	IK01
Operating temperature	from -20°C to +30°C

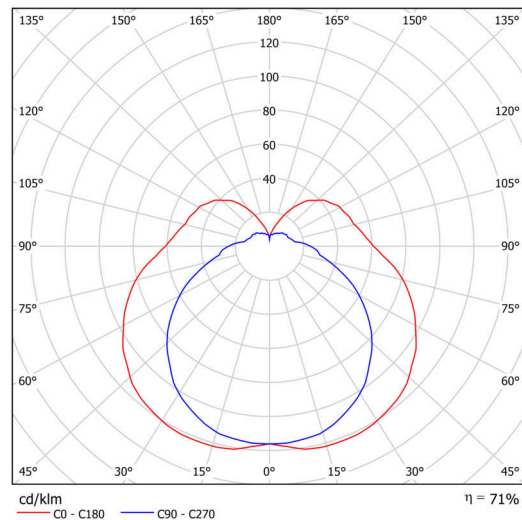


Electric

Power consumption	7 W
Ingress Protection	IP43
Socket	LED modul
terminal block	screw terminal block
Automatic circuit breaker type B10A	50 pcs
Automatic circuit breaker type B16A	78 pcs
Automatic circuit breaker type C10A	84 pcs
Automatic circuit breaker type C16A	130 pcs

Luminous

Lum. flux of luminaire	720 lm
Lum. flux of light source	1010 lm
Luminaire efficacy	102 lm/W
Temperature	3000 K
Rated life time LED L80/B10	100000 hours
CRI	Ra80
MacAdam	3
Blue light hazard	Risk group 0



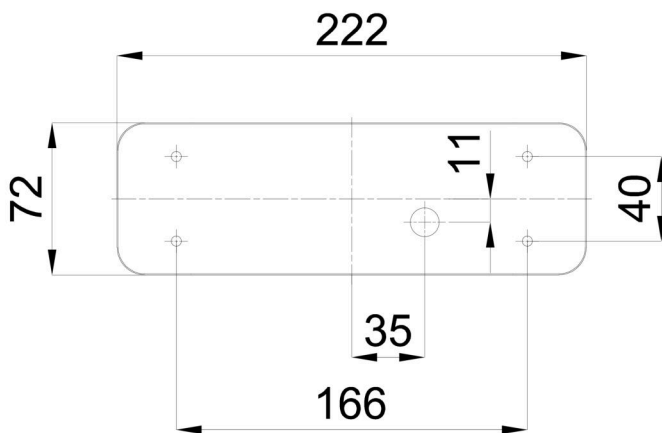
Eulum data for calculation programs are available at www.osmont.cz.

Logistic

EAN	8591728121228
Weight NTTO	0.8 Kg
Weight BTTO	0.9 Kg
Number of cartons	1 pcs
Package volume	0.002 m ³
Package 1 width	0.26 m
Package 1 length	0.095 m
Package 1 height	0.1 m
Warranty*	60 months

*The warranty for the batteries is valid for 12 months from the date of purchase.

Installation dimensions:



Additional assortment:

Lampshade

Product code	Name	Color	Description	Picture	Drawing
20028	124	white		