



## ERIS CV3

---

LED-1L16ET700KV88/413C BT 27-65K#

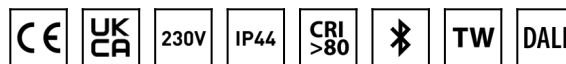
[WWW.OSMONT.CZ](http://WWW.OSMONT.CZ)

# ERIS CV3

Product code: ERI63152

Type: LED-1L16ET700KV88/413C BT 27-65K#

Short description of the luminaire: White semi-recessed LED light Tunable White with TRIPLEX OPAL glass shade with black decorative stripe.



## Technical

Types of luminaires	Tunable White
Mounting type	semi-recessed
Base material	steel
Shade material	three-layer glass TRIPLEX OPAL
Base color	white Ral9003
Shade color	white - black
Holding the shade	folding system
Mounting location	ceiling/wall
Width	445 mm
Length	445 mm
Height	130 mm
Diameter	ø 445 mm
mounting holes (diameter)	none
Installation wire (diameter)	2xØ16mm
Energy Class	D
Impact strength	IK01
Operating temperature	from -20°C to +30°C

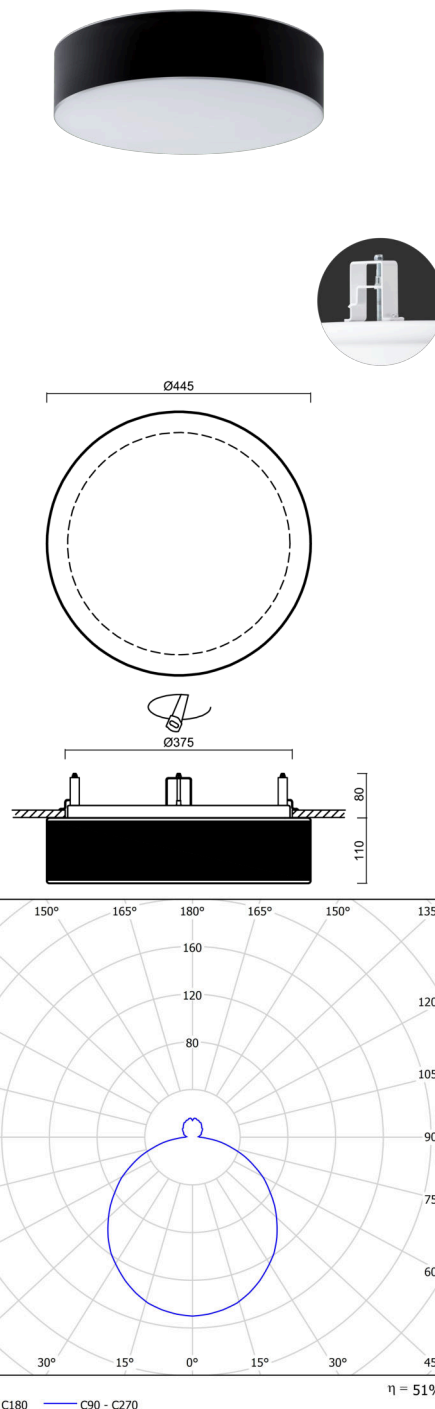
## Electric

Power consumption	33 W
Ingress Protection	IP44
Socket	LED modul
terminal block	snap terminal block
Automatic circuit breaker type B10A	22 pcs
Automatic circuit breaker type B16A	36 pcs

## Luminous

Lum. flux of luminaire	2550 lm
Lum. flux of light source	5090 lm
Luminaire efficacy	77 lm/W
Temperature	2700-6500 K
Rated life time LED L80/B10	100000 hours
CRI	Ra80
MacAdam	3
Blue light hazard	Risk group 0

Eulum data for calculation programs are available at [www.osmont.cz](http://www.osmont.cz).

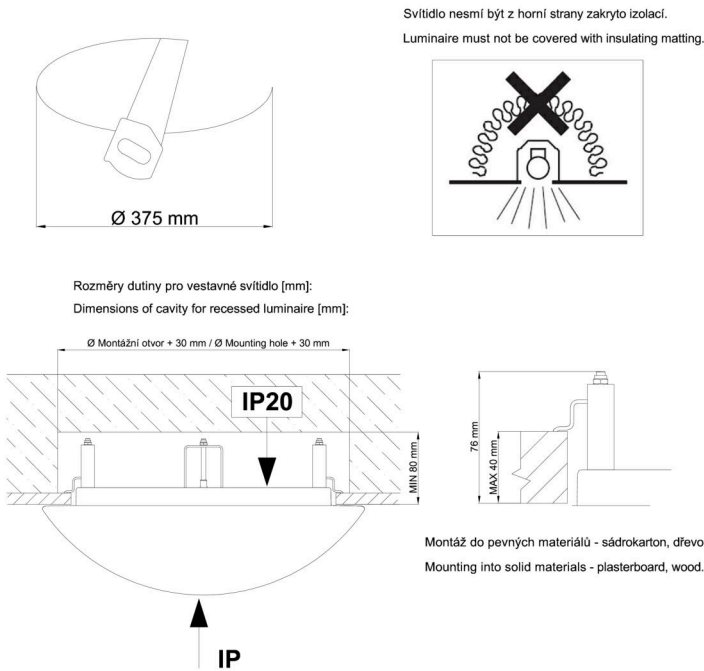


Logistic

EAN	8591728098858
Weight NTTO	5.9 Kg
Weight BTTO	6.4 Kg
Number of cartons	1 pcs
Package volume	0.049 m <sup>3</sup>
Package 1 width	0.454 m
Package 1 length	0.454 m
Package 1 height	0.24 m
Warranty*	60 months

\*The warranty for the batteries is valid for 12 months from the date of purchase.

Installation dimensions:



## Additional assortment:

## Lampshade

Product code	Name	Color	Description	Picture	Drawing
20132	413C	white - black			