



ELSA V4

LED-1L16E350BTV15/029 4K#

WWW.OSMONT.CZ

ELSA V4

Product code: ELS68631

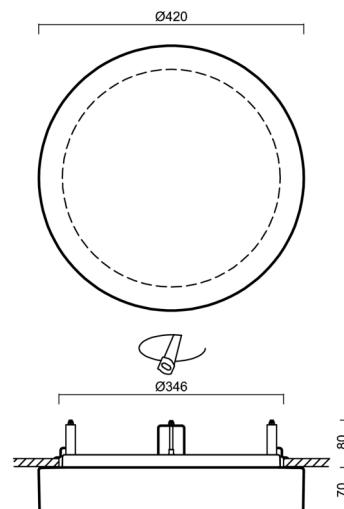
Type: LED-1L16E350BTV15/029 4K#

Short description of the luminaire: White semi-recessed LED light ON/OFF with TRIPLEX OPAL glass shade.



Technical

Types of luminaires	Classic on/off
Mounting type	semi-recessed
Base material	steel
Shade material	three-layer glass TRIPLEX OPAL
Base color	white Ral9003
Shade color	white
Holding the shade	bayonet
Mounting location	ceiling/wall
Width	420 mm
Length	420 mm
Height	69 mm
Diameter	ø 420 mm
mounting holes (diameter)	none
Installation wire (diameter)	2xØ16mm
Energy Class	D
Impact strength	IK01
Operating temperature	from -20°C to +30°C

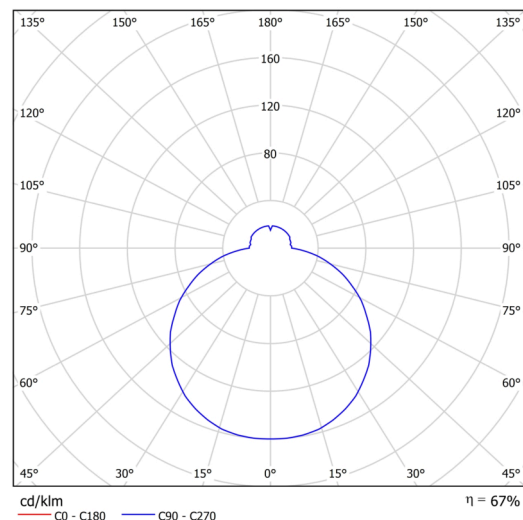


Electric

Power consumption	17 W
Ingress Protection	IP44
Socket	LED modul
terminal block	snap terminal block
Automatic circuit breaker type B10A	65 pcs
Automatic circuit breaker type B16A	105 pcs
Automatic circuit breaker type C10A	39 pcs
Automatic circuit breaker type C16A	63 pcs

Luminous

Lum. flux of luminaire	1860 lm
Lum. flux of light source	2770 lm
Luminaire efficacy	109 lm/W
Temperature	4000 K
Rated life time LED L80/B10	100000 hours
CRI	Ra80
MacAdam	3
Blue light hazard	Risk group 0



Eulum data for calculation programs are available at www.osmont.cz.

Logistic

EAN	8591728096977
Weight NTTO	3.8 Kg
Weight BTTO	4.2 Kg
Number of cartons	1 pcs
Package volume	0.033 m ³
Package 1 width	0.43 m
Package 1 length	0.43 m
Package 1 height	0.18 m
Warranty*	60 months

*The warranty for the batteries is valid for 12 months from the date of purchase.

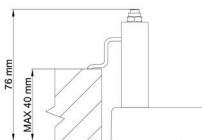
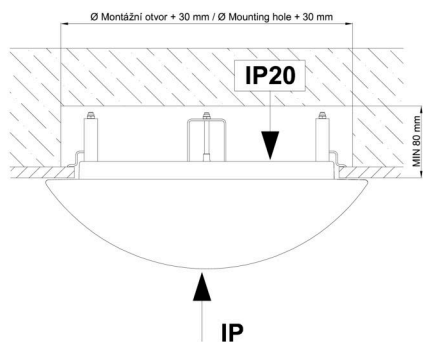
Installation dimensions:



Svítlidlo nesmí být z horní strany zakryto izolací.
Luminaire must not be covered with insulating matting.



Rozměry dutiny pro vestavné svítidlo [mm]:
Dimensions of cavity for recessed luminaire [mm]:



Montáž do pevných materiálů - sádkarton, dřevo.
Mounting into solid materials - plasterboard, wood.

Additional assortment:

Lampshade

Product code	Name	Color	Description	Picture	Drawing
20083	029	white		