



ELSA V3

LED-1L15E350BTV14/027 HF 3K#

WWW.OSMONT.CZ

ELSA V3

Product code: ELS68120

Type: LED-1L15E350BTV14/027 HF 3K#

Short description of the luminaire: White semi-recessed LED light with sensor with TRIPLEX OPAL glass shade.



Technical

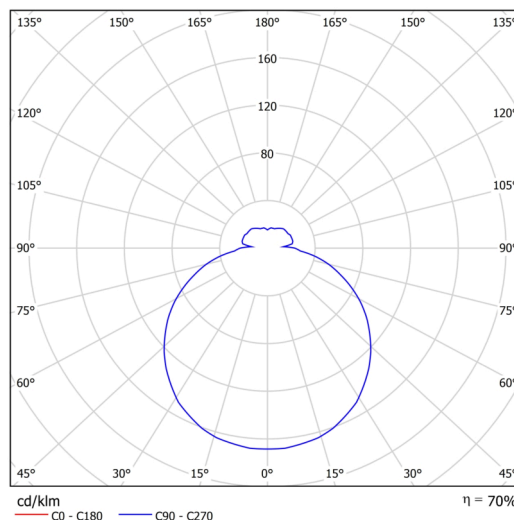
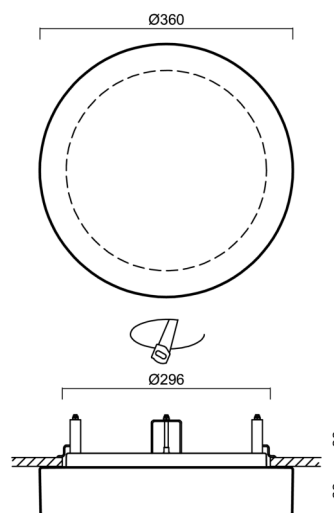
Types of luminaires	Sensor
Mounting type	semi-recessed
Base material	steel
Shade material	three-layer glass TRIPLEX OPAL
Base color	white Ral9003
Shade color	white
Holding the shade	bayonet
Mounting location	ceiling/wall
Width	360 mm
Length	360 mm
Height	67 mm
Diameter	ø 360 mm
mounting holes (diameter)	none
Installation wire (diameter)	2xø16mm
Energy Class	D
Impact strength	IK01
Operating temperature	from -20°C to +30°C

Electric

Power consumption	13 W
Ingress Protection	IP44
Socket	LED modul
Sensor	HF
terminal block	snap terminal block
Automatic circuit breaker type B10A	65 pcs
Automatic circuit breaker type B16A	105 pcs
Automatic circuit breaker type C10A	39 pcs
Automatic circuit breaker type C16A	63 pcs

Luminous

Lum. flux of luminaire	1490 lm
Lum. flux of light source	2130 lm
Luminaire efficacy	114 lm/W
Temperature	3000 K
Rated life time LED L80/B10	100000 hours
CRI	Ra80
MacAdam	3
Blue light hazard	Risk group 0



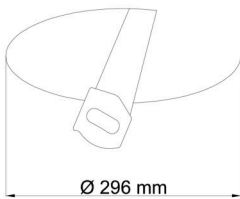
Eulum data for calculation programs are available at www.osmont.cz.

Logistic

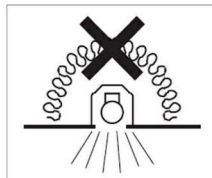
EAN	8591728096182
Weight NTTO	3.8 Kg
Weight BTTO	4.1 Kg
Number of cartons	1 pcs
Package volume	0.025 m ³
Package 1 width	0.37 m
Package 1 length	0.37 m
Package 1 height	0.18 m
Warranty*	60 months

*The warranty for the batteries is valid for 12 months from the date of purchase.

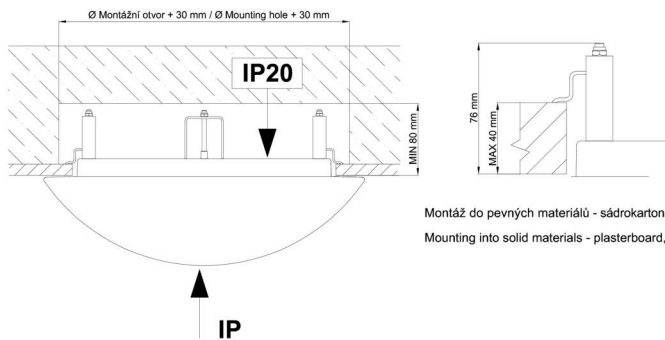
Installation dimensions:



Svítlidlo nesmí být z horní strany zakryto izolací.
Luminaire must not be covered with insulating matting.



Rozměry dutiny pro vestavné svítidlo [mm]:
Dimensions of cavity for recessed luminaire [mm]:



Additional assortment:

Lampshade

Product code	Name	Color	Description	Picture	Drawing
20082	027	white		