



## ELISA

---

IN-22NU43/PC43 HF\*

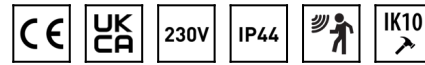
[WWW.OSMONT.CZ](http://WWW.OSMONT.CZ)

# ELISA

Product code: ELI53528

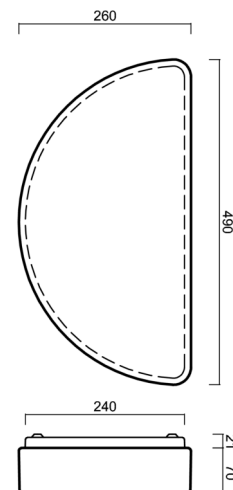
Type: IN-22NU43/PC43 HF\*

Short description of the luminaire: White surface-mounted E27 light with sensor and polycarbonate shade.



## Technical

Types of luminaires	Sensor
Mounting type	surface mounted
Base material	steel
Shade material	opal polycarbonate
Base color	white Ral9003
Shade color	white
Holding the shade	folding system
Mounting location	wall
Width	490 mm
Length	265 mm
Height	85 mm
mounting holes (diameter)	4xØ5mm
Installation wire (diameter)	2xØ16mm
Impact strength	IK10
Operating temperature	from -20°C to +30°C



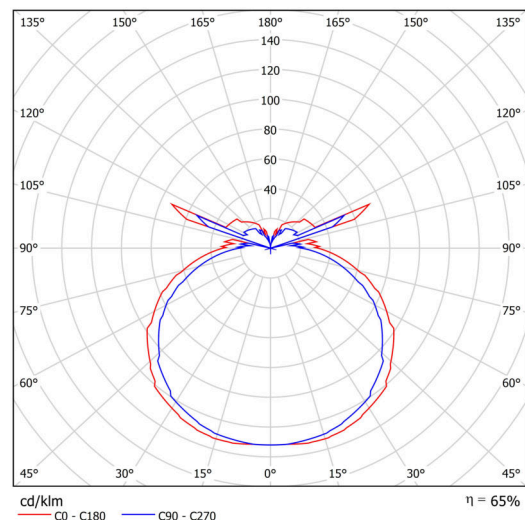
## Electric

Voltage type	AC
AC voltage	220 - 240 V
Power consumption	2x25 W
Ingress Protection	IP44
Socket	E27
Sensor	HF
terminal block	snap terminal block

## Luminous

Blue light hazard	Risk group 0
-------------------	--------------

Eulum data for calculation programs are available at [www.osmont.cz](http://www.osmont.cz).

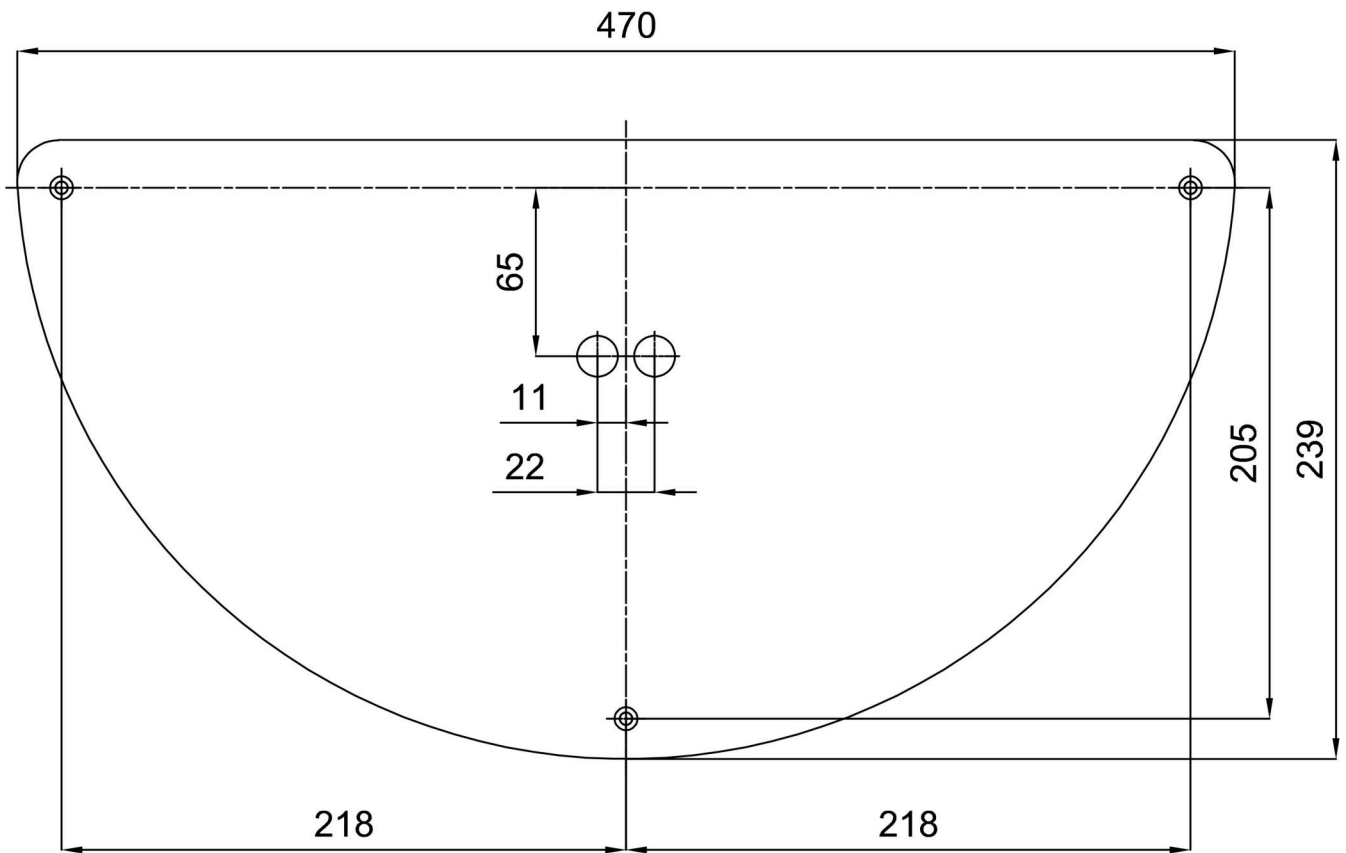


Logistic

EAN	8591728535285
Weight NTTO	1.35 Kg
Weight BTTO	1.65 Kg
Number of cartons	1 pcs
Package volume	0.153 m <sup>3</sup>
Package 1 width	0.435 m
Package 1 length	0.415 m
Package 1 height	0.85 m
Warranty*	60 months


\*The warranty for the batteries is valid for 12 months from the date of purchase.

Installation dimensions:



## Additional assortment:

## Lampshade

Product code	Name	Color	Description	Picture	Drawing
20537	PC43	white		 A 3D rendering of a white, curved lampshade. It has a smooth, slightly flared top edge and a rounded bottom edge, resembling a shallow bowl or a protective shield.	