



ELEKTRA 5

IN-174*

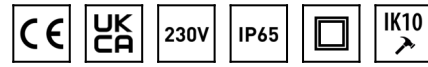
WWW.OSMONT.CZ

ELEKTRA 5

Product code: ELE50039

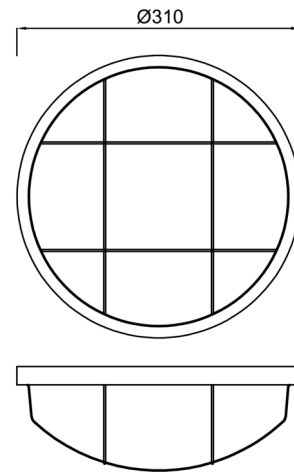
Type: IN-174*

Short description of the luminaire: White industrial E27 light ON/OFF and polycarbonate shade.



Technical

Types of luminaires	Classic on/off
Mounting type	industrial
Base material	polycarbonate
Shade material	clear polycarbonate
Base color	white Ra9003
Shade color	clear
Holding the shade	screws
Mounting location	ceiling/wall
Width	310 mm
Length	310 mm
Height	120 mm
Diameter	ø 310 mm
mounting holes (diameter)	4xø5mm
Installation wire (diameter)	2xø14mm
Impact strength	IK10



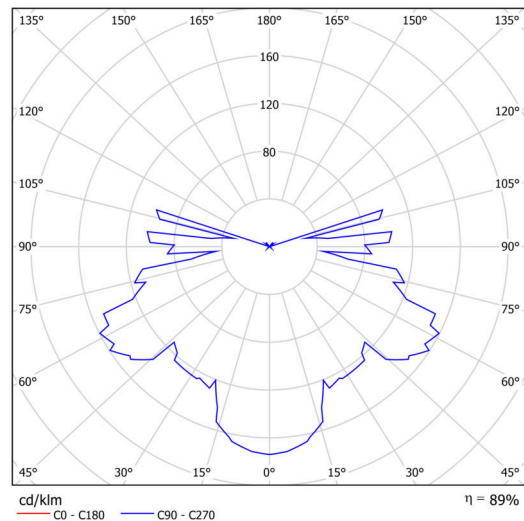
Electric

Voltage type	AC
AC voltage	220 - 240 V
Power consumption	2x25 W
Coverage class	2
Ingress Protection	IP65
Socket	E27
terminal block	none

Luminous

Blue light hazard	Risk group 0
-------------------	--------------

Eulum data for calculation programs are available at www.osmont.cz.



Logistic

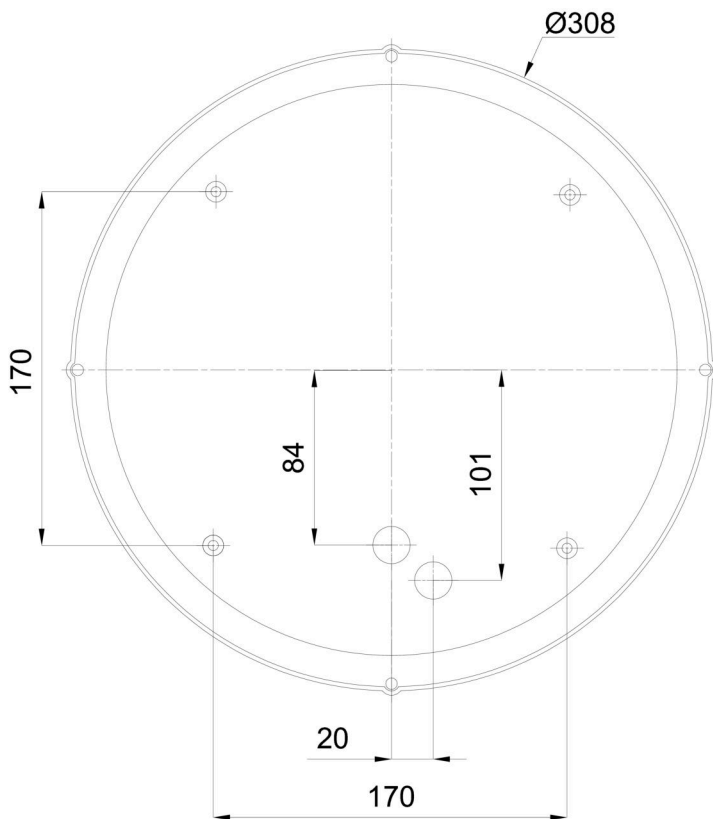
EAN	8591728500399
Weight NTTO	1 Kg

TECHNICAL SHEET

Weight BTTO	1.3 Kg
Number of cartons	1 pcs
Package volume	0.015 m ³
Package 1 width	0.33 m
Package 1 length	0.33 m
Package 1 height	0.135 m
Warranty*	60 months

*The warranty for the batteries is valid for 12 months from the date of purchase.

Installation dimensions:



Additional assortment:

Lampshade

Product code	Name	Color	Description	Picture	Drawing
20503	174	white		